

SHAW-BOX®

5 through
60 ton capacity

Double Girder Trolleys

Price and Specification Book

Prices effective October 4, 2004

This price list supersedes all pricing information of earlier dates



Specification Information

This SHAW-BOX bulletin contains specifications and clearances for the popular SHAW-BOX Double Girder Trolleys used by crane builders throughout the world. These trolleys are available in a wide variety of styles and capacities to meet the exact requirements of the crane application. Select the trolley to meet the criteria of your application. The product numbering system is designed to denote the exact specifications of each unit.

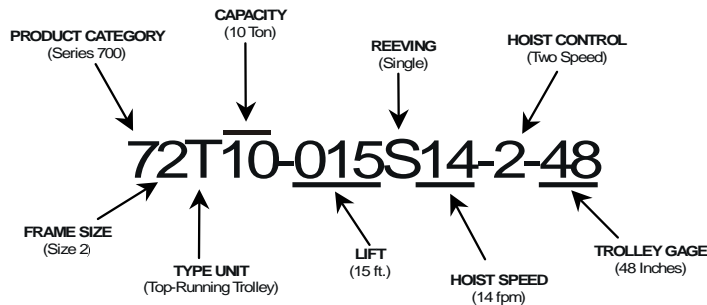
Trolley Numbering System

The trolley numbering system is designed to insure you get the correct combination of features you are looking for. Each digit or letter has a particular designation which referees to a specific size, feature or function.

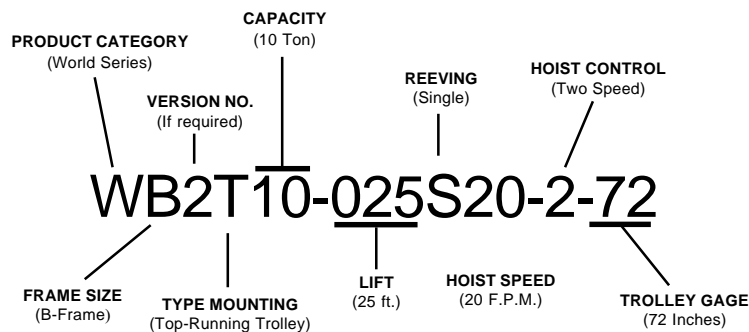
To make doubly sure you receive the product you need, when ordering we ask that you fill out a part of the product catalog number specifying some features.

Examples:

10-ton Size 2 Deck Mounted Hoist and Trolley



10-tonne World Series Trolley



PRODUCT	PAGE NO.
General Trolley Specifications	3
Series 700 & DMR Trolleys	
Series 700 Trolleys	
(Single Reeved / 5-20 Ton)	4-8
(Double Reeved / 5-20 Ton)	9-14
DMR Trolleys	
(DMR-3 Double Reeved / 7½-30 Ton)	15-19
(DMR-4 Double Reeved / 25-40 Ton)	20-21
(DMR-5 Double Reeved / 50-60 Ton)	22
Options Pricing	23-26

PRODUCT	PAGE NO.
World Series Trolleys	
(Single Reeved / 5-15 Ton)	27-29
Options Pricing	30-31
Loadmax Trolleys	
(Double Reeved / 10-30 Ton)	32-36
Options Pricing	37-40

Shaw-Box Top-Running Trolley Standard Features

Feature	700 Series		DMR	World Series	LoadMax
	Size 2	Size 3			
Tons Capacity	5, 7.5 & 10	5, 7.5, 10, 15 & 20	"7.5, 10, 15, 20, 25 & 30"	5, 7.5 & 10 (metric tonnes)	10, 15, 20, 25 & 30
Service Class	HMI - Class H4	HMI - Class H4	CMAA - Class D	CMAA - Class D	CMAA - Class D
Reeved	Single or Double	Single or Double	Double	Single	Double
Rope Guide	No	No	No	Optional	No
Hoist Gearing	Helical in oil bath	Helical in oil bath	Helical in oil bath	Helical spur in oil bath	Helical in oil bath
Hoist Load Brake	Mechanical	Mechanical	Mechanical	None	"Mechanical to 30 hp Flux vector over 30"
Hoist Motor	One or two speed squirrel cage with TAS Two speed is 3:1 ratio 30 minute duty Class F insulation TENV	One or two speed squirrel cage with TAS Two speed is 3:1 ratio 30 minute duty Class F insulation TENV	One or two speed squirrel cage with TAS Two speed is 3:1 ratio 30 minute duty Class F insulation TENV	Two speed with TAS 6:1 ratio 30 minute duty Class F insulation TEFC	Two speed with TAS 60 minute duty - 3:1 ratio Class F insulation TENV or Squirrel cage Continuous duty Class H insulation TENV
Hoist Motor Brake	DC disc	DC disc	DC disc	DC disc	DC shoe
Hoist Limit Switch	"Block upper, geared U/L"	"Block upper, geared U/L"	"Block upper, geared U/L"	Block upper	"Block upper, geared U/L"
Hoist Control	"Magnetic contactor 1-speed standard"	"Magnetic contactor 1-speed standard"	"Magnetic contactor 1-speed standard"	"Magnetic contactor 2-speed standard"	"Magnetic contactor to 30 hp, flux vector over 30 hp"
Trolley Gearing	"Worm or helical/worm"	"Worm or helical/worm"	Helical	Worm	Helical
Trolley Motor	One or two speed squirrel cage with TAS Two speed is 3:1 ratio 30 minute duty Class F insulation TENV	One or two speed squirrel cage with TAS Two speed is 3:1 ratio 30 minute duty Class F insulation TENV	One or two speed squirrel cage with TAS Two speed is 3:1 ratio 30 minute duty Class F insulation TENV	Two speed with TAS 3:1 ratio 30 minute duty Class F insulation TENV	One or two speed with TAS squirrel cage Two speed is 3:1 ratio 30 minute duty Class F insulation TENV
Trolley Brake	Optional	Optional	AC disc	Optional	AC disc
Trolley Control	"Magnetic contactor 1-speed standard"	"Magnetic contactor 1-speed standard"	"Magnetic contactor 1-speed standard"	"Magnetic contactor 2-speed standard"	"Magnetic contactor 2-speed standard"
Wheels	"7"" double flanged steel @ 400 - 450 BHN"	"9"" double flanged steel @ 400 - 450 BHN"	"9"" double flanged steel @ 400 - 450 BHN"	"6"" double flanged steel @ 400 - 450 BHN"	"9"" double flanged steel @ 400 - 450 BHN"
Bumpers	Optional	Optional	Optional	Standard	Standard
Bearings	Anti-friciton throughout	Anti-friciton throughout	Anti-friciton throughout	Anti-friciton throughout	Anti-friciton throughout
Motor TAS	Standard	Standard	Standard	Standard	Standard
Control Enclosure	NEMA 4/12	NEMA 4/12	NEMA 4/12	NEMA 4/12	NEMA 4/12

All panels ship loose as standard with leads pulled to a J-box, except for the World Series which is mounted and wired as a standard.

Series 700

Specifications and Pricing

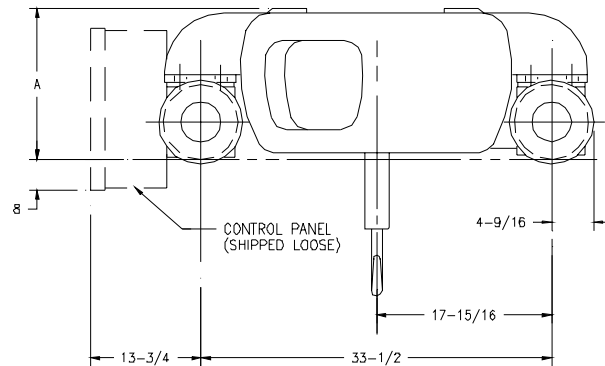
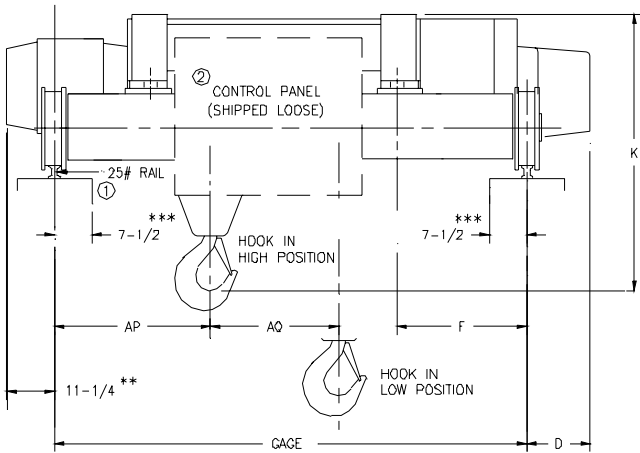
Note: Prices include a junction box with all leads pulled to the box. Prices do not include mounting or wiring of the panel. **Add \$132 mount and wire in the panel.**

5 Ton / Single Reeved

Catalog Number	Max Lift (ft)	Gage (in)	Hoist Speed (fpm)	Hoist Motor	Rope No. & Dia. (in)	Traverse Speed (fpm)	Wheel Dia. (in)	Traverse Motor	Wt. (lbs)	1-Speed Both Motions	2-Speed Adders	
											Hoist	Trolley
72T05-014S15*-48	14	48	15	5	4-3/8	70	7	0.75	1460	12035	895	359
72T05-014S20*-48			20	7.5					1510	12702	1197	
72T05-026S15*-48	26		15	5					1585	12320	895	
72T05-026S20*-48			20	7.5					1635	12985	1197	
72T05-014S15*-66	14	66	15	5					1610	12237	895	
72T05-014S20*-66			20	7.5					1720	12903	1197	
72T05-026S15*-66	26		15	5					1835	12714	895	
72T05-026S20*-66			20	7.5					1885	13380	1197	
72T05-047S20*-66	47		2205	16416					1197			
72T05-014S15*-78	14		78	15					5	1690	12670	
72T05-014S20*-78		20		7.5					1740	13337	1197	
72T05-026S15*-78	26	15		5					1815	12955	895	
72T05-026S20*-78		20		7.5					1865	13621	1197	
72T05-047S20*-78	47	2285		16850					1197			
72T05-075S20*-78	75	2585		17799	1197							

*When ordering, the suffix 1 or 2 is added to indicate the number of speed points. Use V for Variable Frequency.

Dimensional Drawings (In Inches)



** Hoist motor or traverse motor — whichever is larger.

*** Max. dimension from ϕ of rail to inside of girder to clear rope off of drum.

Lift (ft)	Gage	A	D	F	K	AP	AQ	Max Wheel Load
14	48	15-3/16	1-13/16	19	38	23-7/16	2-5/8	3241
	66			28-7/16		3266		
	78			34-7/16		38		3266
26	48	14-5/16	10	10	37-1/8	23-3/4	4-7/8	3047
	66		1-13/16	25-5/8		26-1/4		3523
	78			26-3/4		53-3/4		4348
47	66		9-7/8	10	37-1/8	26-3/8	8-5/8	3883
	78					38-3/8		3488
75	78					17-7/8	13-3/4	4631

① Maximum A.S.C.E. Rail size is 25# for 7" wheel.

② Panel is approximately 30"x20"x8.8" with a left side vertical hinge.

Trolleys with 48" gage or wide girders may not accommodate the panel as illustrated.

Series 700

Specifications and Pricing

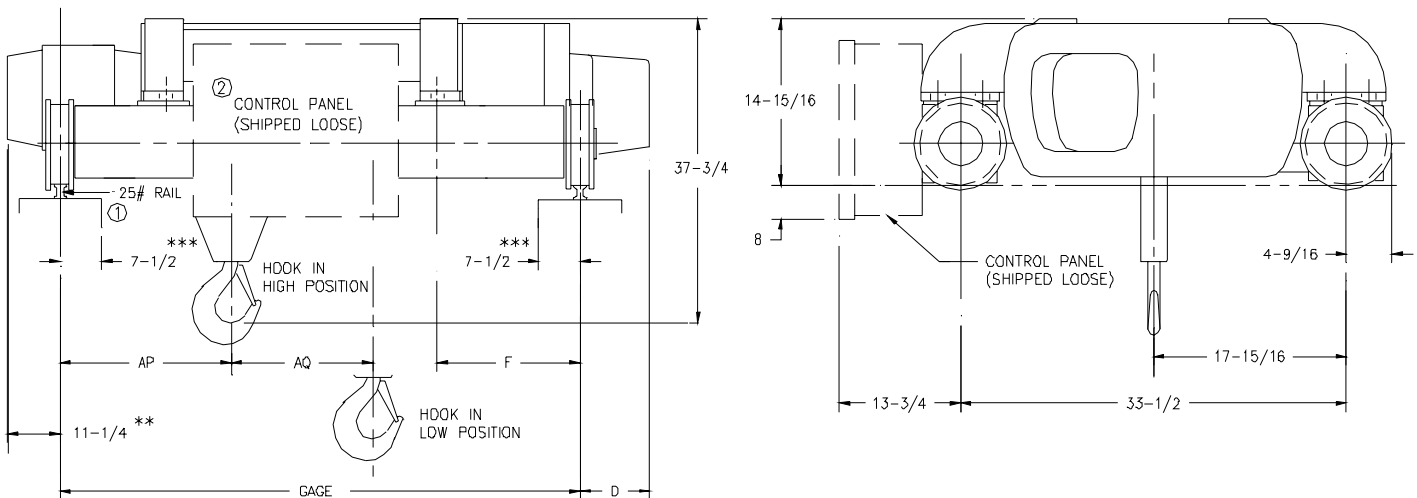
Note: Prices include a junction box with all leads pulled to the box. Prices do not include mounting or wiring of the panel. **Add \$132 mount and wire in the panel.**

7½ Ton / Single Reeved

Catalog Number	Max Lift (ft)	Gage (in)	Hoist Speed (fpm)	Hoist Motor	Rope No. & Dia. (in)	Traverse Speed (fpm)	Wheel Dia. (in)	Traverse Motor	Wt. (lbs)	1-Speed Both Motions	2-Speed Adders	
											Hoist	Trolley
72T07-022S14*-48	22	48	14	7.5	4-7/16	70	7	0.75	1635	14564	1197	359
72T07-022S14*-66	22	66							1785	14766		
72T07-038S14*-66	38	78							2105	16634		
72T07-022S14*-78	22								1865	15200		
72T07-038S14*-78	38								2285	17259		
72T07-062S14*-78	62								2585	19224		

*When ordering, the suffix 1 or 2 is added to indicate the number of speed points. Use V for Variable Frequency.

Dimensional Drawings (In Inches)



** Hoist motor or traverse motor — whichever is larger.

*** Max. dimension from ϵ of rail to inside of girder to clear rope off of drum.

Lift (ft)	Gage	D	F	AP	AQ	Max Wheel Load
22	48	10	10	23-1/4	4-3/4	4337
	66	1-13/16	25-5/8	26-1/8		5100
	78		27-1/4	36-3/4		4362
38	66	9-7/8	10-3/8	26-5/8	8-1/2	5669
	78			38-1/8		5117
62				17-3/4	13-3/4	6830

① Maximum A.S.C.E. Rail size is 25# for 7" wheel.

② Panel is approximately 30"x20"x8.8" with a left side vertical hinge.

Trolleys with 48" gage or wide girders may not accommodate the panel as illustrated.

Series 700

Specifications and Pricing

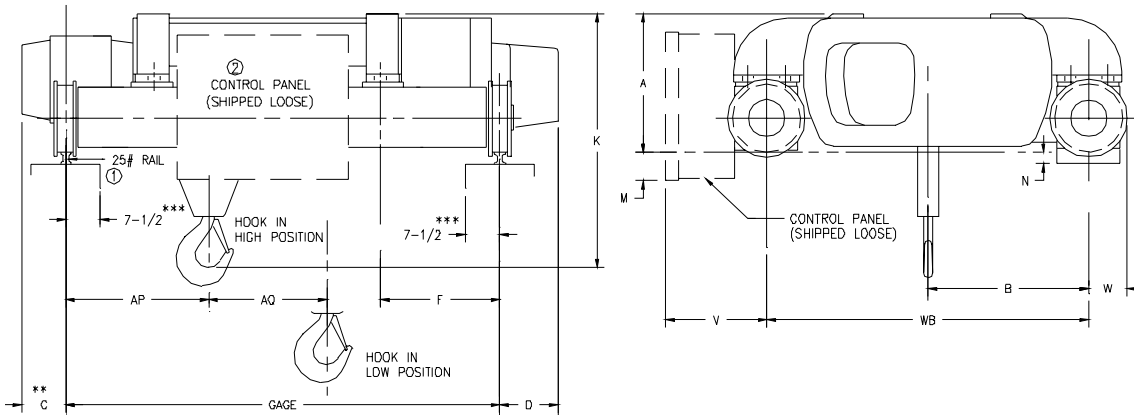
Note: Prices include a junction box with all leads pulled to the box. Prices do not include mounting or wiring of the panel. **Add \$132 mount and wire in the panel.**

10 Ton / Single Reeved

Catalog Number	Max Lift (ft)	Gage (in)	Hoist Speed (fpm)	Hoist Motor	Rope No. & Dia. (in)	Traverse Speed (fpm)	Wheel Dia. (in)	Traverse Motor	Wt. (lbs)	1-Speed Both Motions	2-Speed Adders	
											Hoist	Trolley
72T10-015S14-*-48	15	48	14	10	6-7/16	70	7	0.75	1735	15031	1197	359
73T10-036S22-*-48	36		22	15	4-9/16	65	9		3565	21978	1396	
72T10-015S14-*-66	15	66	14	10	6-7/16	70	7		1885	15234	1197	
72T10-025S14-*-66	25		22	15	4-9/16	65	9		2200	16741	1197	
73T10-036S22-*-66	36		14	10	6-7/16	70	7		3725	22232	1396	
73T10-056S22-*-66	56		22	15	4-9/16	65	9		3990	22992	1396	
72T10-015S14-*-78	15	78	14	10	6-7/16	70	7		1965	15667	1197	
72T10-025S14-*-78	25		22	15	4-9/16	65	9		2380	17363	1197	
73T10-036S22-*-78	36		14	10	6-7/16	70	7		3985	22553	1396	
72T10-040S14-*-78	40		22	15	4-9/16	65	9		2580	19116	1197	
73T10-056S22-*-78	56		14	10	6-7/16	70	7		4150	23120	1396	
73T10-075S22-*-78	75		22	15	4-9/16	65	9		4385	27295	1396	

*When ordering, the suffix 1 or 2 is added to indicate the number of speed points. Use V for Variable Frequency.

Dimensional Drawings (In Inches)



** Hoist motor or traverse motor — whichever is larger.

① Maximum A.S.C.E. Rail size is 25# for 7" wheel, 40# for 9" wheel.

② Panel is approximately 30"x20"x8.8" with a left side vertical hinge.

*** Max. dimension from \perp of rail to inside of girder to clear rope off of drum.

Trolleys with 48" gage or wide girders may not accommodate the panel as illustrated.

Lift (ft)	Gage	A	B	C	D	F	K	M	N	V	W	AP	AQ	WB	Max Wheel Load
15	48	16-5/16	17-15/16	11-1/4	9-7/8	10	38-3/4	8	1/2	13-3/4	4-9/16	24-1/16	3-1/8	33-1/2	5723
	66				1-13/16	25-5/8						26-7/16			6649
	78				10-3/8	10						28-1/8			5-9/16
25	66	21-1/2	24-5/16	11-9/16	16-13/16	8-11/16	53-3/8	4	2	15-1/8	5	18-1/8	7-1/4	45-1/8	7891
	78				13-15/16	11-9/16						31-7/8			7916
36	66	16-5/16	17-15/16	10-3/8	5-7/16	20-1/16	38-3/4	8	1/2	13-3/4	4-9/16	36-3/4	9	33-1/2	8428
	78				9-7/8	10						19-11/16			8526
	66				19-13/16	11-1/8						45-1/8			7393
40	66	21-1/2	24-5/16	11-9/16	16-13/16	8-11/16	53-3/8	4	2	15-1/8	5	31-13/16	14-1/2	45-1/8	9385
	78				17-13/16	14-1/2						17-13/16			14-1/2

Series 700

Specifications and Pricing

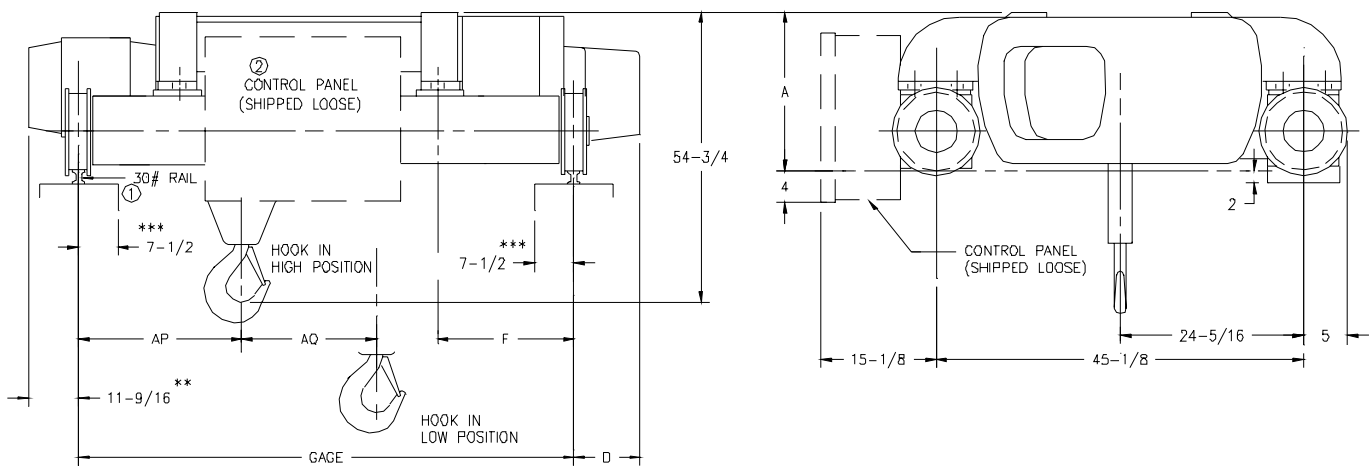
Note: Prices include a junction box with all leads pulled to the box. Prices do not include mounting or wiring of the panel. **Add \$132 mount and wire in the panel.**

15 Ton / Single Reeved

Catalog Number	Max Lift (ft)	Gage (in)	Hoist Speed (fpm)	Hoist Motor	Rope No. & Dia. (in)	Traverse Speed (fpm)	Wheel Dia. (in)	Traverse Motor	Wt. (lbs)	1-Speed Both Motions	2-Speed Adders	
											Hoist	Trolley
73T15-024S13*-48	24	48	13	15	6-9/16	65	9	0.75	3645	23601	1396	359
73T15-024S13*-66	24	66							3805	23853		
73T15-038S13*-66	38	78							4145	25221		
73T15-024S13*-78	24								3965	23981		
73T15-038S13*-78	38								4405	25542		
73T15-050S13*-78	50								4565	26947		

*When ordering, the suffix 1 or 2 is added to indicate the number of speed points. Use V for Variable Frequency.

Dimensional Drawings (In Inches)



** Hoist motor or traverse motor — whichever is larger.

*** Max. dimension from ϵ of rail to inside of girder to clear rope off of drum.

Lift (ft)	Gage	A	D	F	AP	AQ	Max. Wheel Load
24	48	21-1/2	17	8-11/16	17-3/4	5-1/4	11100
	66		13-7/8	11-9/16	32-7/8		9075
	78	22-1/2	0	8-11/16	47-3/4		11125
38	66	21-1/2	17		20-1/16	7-13/16	12003
	78				32-1/16		10544
50	78				18-1/16	10	13512

① Maximum A.S.C.E. Rail size is 40# for 9" wheel.

② Panel is approximately 30"x20"x8.8" with a left side vertical hinge. Trolleys with 48" gage or wide girders may not accommodate the panel as illustrated.

Series 700

Specifications and Pricing

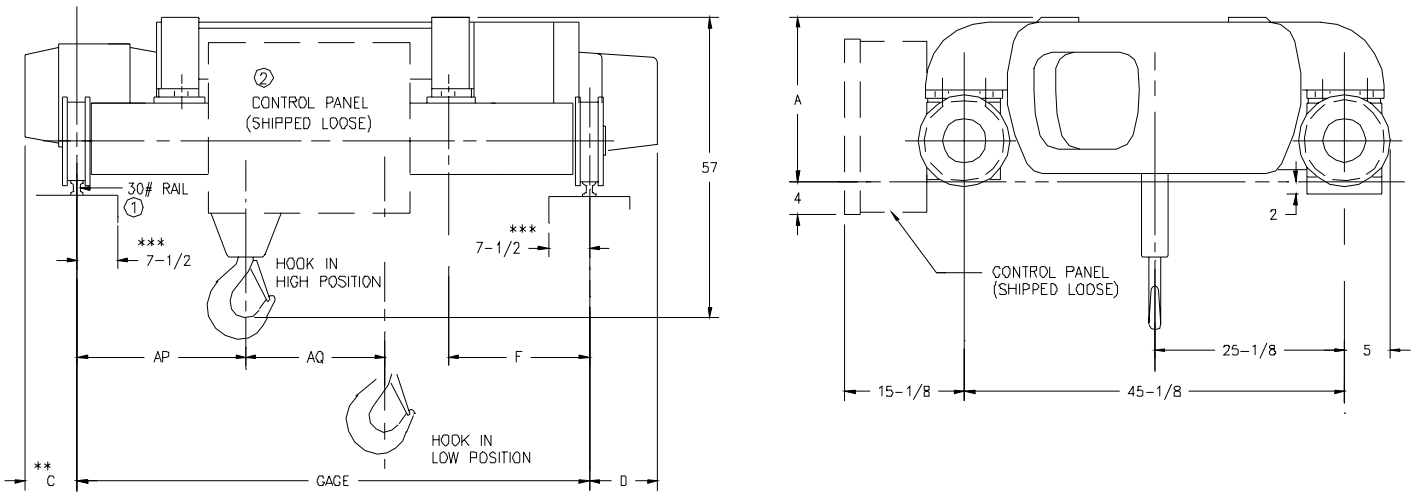
Note: Prices include a junction box with all leads pulled to the box. Prices do not include mounting or wiring of the panel. **Add \$132 mount and wire in the panel.**

20 Ton / Single Reeved

Catalog Number	Max Lift (ft)	Gage (in)	Hoist Speed (fpm)	Hoist Motor	Rope No. & Dia. (in)	Traverse Speed (fpm)	Wheel Dia. (in)	Traverse Motor	Wt. (lbs)	1-Speed Both Motions	2-Speed Hoist 1-Speed Trolley	2-Speed Adders		
												Hoist	Trolley	
73T20-020S09*-48	20	48	9.5	15	8-1/2	65	9	1.5	3915	27274	-	1396	359	
73T20-020S12*-48			12	20					4215	-	30694	-		
73T20-020S09*-66			9.5	15					4075	27528	-	1396		
73T20-020S12*-66		12	20	4375					-	30948	-			
73T20-027S09*-66		27	66	9.5					15	4415	28215	-		1396
73T20-027S12*-66				12					20	4715	-	31254		-
73T20-020S09*-78	20			78					9.5	15	4235	27656		-
73T20-020S12*-78		12							20	4535	-	31076		-
73T20-027S09*-78		27							9.5	15	4675	28536		-
73T20-027S12*-78	12								20	4975	-	31574		-
73T20-034S09*-78	34		9.5						15	4835	29299	-		1396
73T20-034S12*-78		12	20						5135	-	32333	-		

*When ordering, the suffix 1 or 2 is added to indicate the number of speed points. Use V for Variable Frequency.

Dimensional Drawings (In Inches)



** Hoist motor or traverse motor — whichever is larger.

*** Max. dimension from center of rail to inside of girder to clear rope off of drum.

Lift (ft)	Gage	A	C Based on Hoist HP		D	F	AP	AQ	Max. Wheel Load
			15 HP	20 HP					
20	48	21-1/2	14-13/16	16-5/16	17	8-11/16	17-1/8	3-1/2	15056
	66		11-9/16	11-9/16	14-1/8	11-9/16	32-1/4		12257
	78	22-1/2			0		47-1/8		15081
27	66	21-1/2	12-3/16	14-5/16	17	8-11/16	25-1/4	4-3/4	14637
	78		11-9/16	11-9/16			37-1/4		12639
34				14-13/16	16-5/16				27-7/8

① Maximum A.S.C.E. Rail size is 40# for 9" wheel.

② Panel is approximately 30"x20"x8.8" with a left side vertical hinge.

Trolleys with 48" gage or wide girders may not accommodate the panel as illustrated.

Series 700

Specifications and Pricing

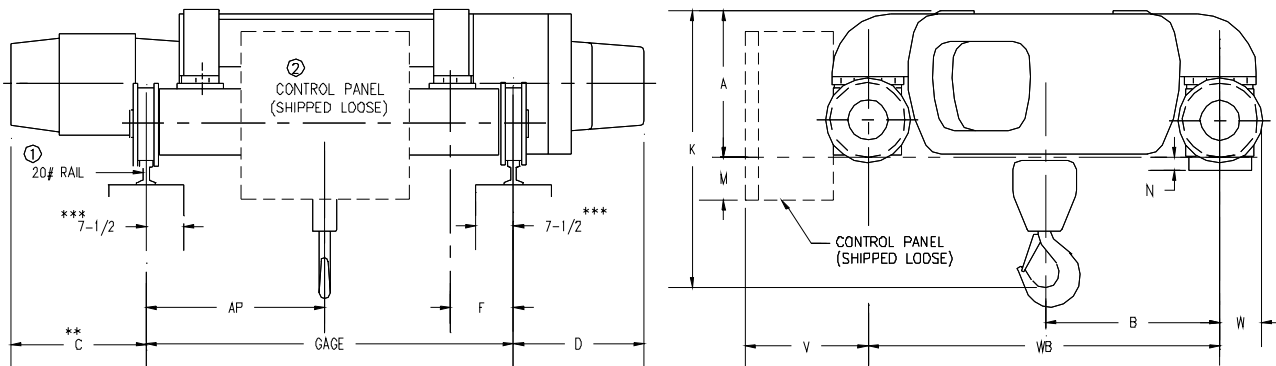
Note: Prices include a junction box with all leads pulled to the box. Prices do not include mounting or wiring of the panel. **Add \$132 mount and wire in the panel.**

5 Ton / Double Reeved

Catalog Number	Max Lift (ft)	Gage (in)	Hoist Speed (fpm)	Hoist Motor	Rope No. & Dia. (in)	Traverse Speed (fpm)	Wheel Dia. (in)	Traverse Motor	Wt. (lbs)	1-Speed Both Motions	2-Speed Adders	
											Hoist	Trolley
72T05-018D13*-48	18	48	13	5	6-5/16	70	7	0.75	1585	14026	895	359
72T05-018D19*-48			19	7.5					1635	14123	1197	
72T05-018D27*-48			27	10					1690	14502	1197	
73T05-053D25*-48	53	48	25	10	4-3/8	65	9	3475	23232	1197		
73T05-053D36*-48			36	15				3475	23458	1396		
72T05-018D13*-66	18	66	13	5	6-5/16	70	7	0.75	1735	14229	895	
72T05-018D19*-66			19	7.5					1785	14325	1197	
72T05-018D27*-66			27	10					1840	14704	1197	
72T05-035D13*-66	35	66	13	5	6-5/16	70	7	0.75	2055	14459	895	
72T05-035D19*-66			19	7.5					2105	14554	1197	
72T05-035D27*-66			27	10					2160	14933	1197	
73T05-053D25*-66	53	66	25	10	4-3/8	65	9	0.75	3635	23484	1197	
73T05-053D36*-66			36	15					3635	23712	1396	
73T05-085D25*-66	85	66	25	10	4-3/8	65	9	0.75	3900	26181	1197	
73T05-085D36*-66			36	15					3900	26408	1396	

*When ordering, the suffix 1 or 2 is added to indicate the number of speed points. Use V for Variable Frequency.

Dimensional Drawings (In Inches)



- ** Hoist motor or traverse motor — whichever is larger.
- *** Max. dimension from ϵ of rail to inside of girder to clear rope off of drum.
- ① Maximum A.S.C.E. Rail size is 25# for 7" wheel, 40# for 9" wheel.
- ② Panel is approximately 30"x20"x8.8" with a left side vertical hinge. Trolleys with 48" gage or wide girders may not accommodate the panel as illustrated.

Lift (ft)	Gage	A	B	C	D	F	K	M	N	V	W	AP	WB	Max Wheel Load
18	48	13-3/4	18-1/2	11-1/4	5-5/8	14-1/2	37-1/16	8	0	13-3/4	4-9/16	24	33-1/2	3181
	66				3-5/8	23-1/2						33		3244
	78	0			29-1/2	39						3206		
35	66	13-3/4	18-11/16	24-5/16	4-11/16	15-11/16	39-1/4	4	2	15-1/8	5	33-3/16	45-1/8	3292
	78				1-13/16	21-7/16						39		3318
	56	8-5/8			11-5/8	39						3394		
53	48	13-3/4	18-11/16	24-5/16	16-1/8	16	39-1/4	4	2	15-1/8	5	24	45-1/8	3663
	66				7-5/16	18-3/8						33		3670
	78				1	24-11/16						39		3688
85	66	13-3/4	18-11/16	24-5/16	13-1/4	15-1/2	39-1/4	4	2	15-1/8	5	33	45-1/8	3736
	78				11-9/16	9-1/4						16-5/8		39

Series 700

Specifications and Pricing

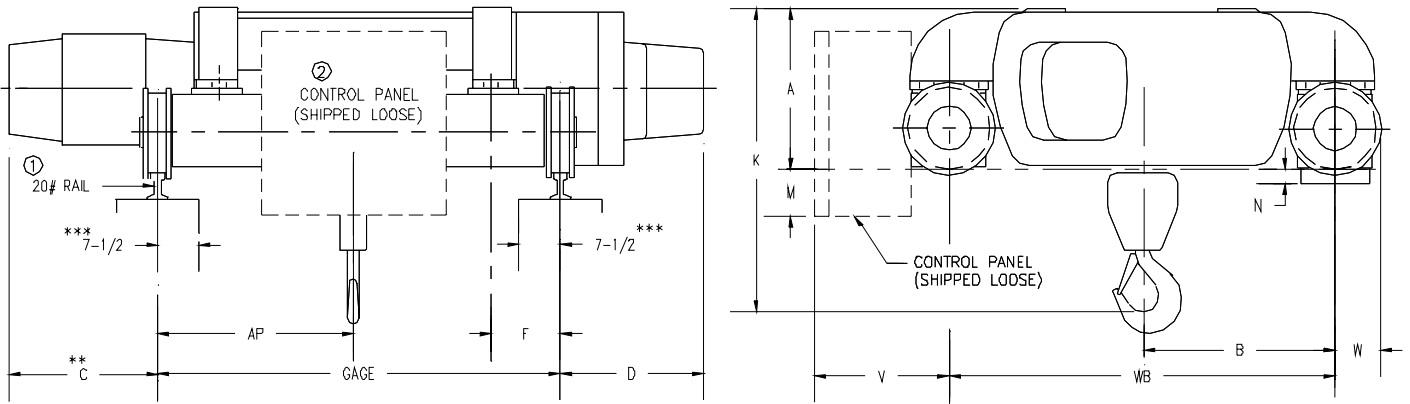
Note: Prices include a junction box with all leads pulled to the box. Prices do not include mounting or wiring of the panel. **Add \$132 mount and wire in the panel.**

5 Ton / Double Reeved (cont)

Catalog Number	Max Lift (ft)	Gage (in)	Hoist Speed (fpm)	Hoist Motor	Rope No. & Dia. (in)	Traverse Speed (fpm)	Wheel Dia. (in)	Traverse Motor	Wt. (lbs)	1-Speed Both Motions	2-Speed Adders	
											Hoist	Trolley
72T05-018D13-*-78	18	78	13	5	6-5/16	70	7	0.75	1815	14662	895	359
72T05-018D19-*-78			19	7.5					1865	14759	1197	
72T05-018D27-*-78			27	10					1920	15137	1197	
72T05-035D13-*-78	35		13	5					2235	15085	895	
72T05-035D19-*-78			19	7.5					2285	15180	1197	
72T05-035D27-*-78			27	10					2340	15558	1197	
72T05-056D19-*-78	56		19	7.5	2585	18407	1197					
72T05-056D27-*-78			27	10	2640	18787	1197					
73T05-053D25-*-78	53		25	10	4-3/8	65	9		3795	23612	1197	
73T05-053D36-*-78		36	15	3795				23840	1396			
73T05-085D25-*-78	85	25	10	4160				26501	1197			
73T05-085D36-*-78		36	15	4160				26729	1396			

*When ordering, the suffix 1 or 2 is added to indicate the number of speed points. Use V for Variable Frequency.

Dimensional Drawings (In Inches)



** Hoist motor or traverse motor — whichever is larger.

*** Max. dimension from ϵ of rail to inside of girder to clear rope off of drum.

① Maximum A.S.C.E. Rail size is 25# for 7" wheel, 40# for 9" wheel.

② Panel is approximately 30"x20"x8.8" with a left side vertical hinge.

Trolleys with 48" gage or wide girders may not accommodate the panel as illustrated.

Lift (ft)	Gage	A	B	C	D	F	K	M	N	V	W	AP	WB	Max Wheel Load															
18	48	13-3/4	18-1/2	11-1/4	5-5/8	14-1/2	37-1/16	8	0	13-3/4	4-9/16	24	33-1/2	3181															
	66				3-5/8	23-1/2						33		3244															
	78				0	29-1/2						39		3206															
35	66	13-3/4			11-9/16	4-11/16						15-11/16		39-1/4	4	2	15-1/8	5	33-3/16	45-1/8	3292								
	56					1-13/16						21-7/16							39		3318								
78						8-5/8						11-5/8							39		3394								
53	48			18-11/16		24-5/16						16-1/8							16		39-1/4	4	2	15-1/8	5	24	45-1/8	3663	
	66											11-9/16							7-5/16							18-3/8		33	3670
	78											1							24-11/16							39		3688	
85	66	18-11/16	24-5/16	13-1/4	15-1/2	39-1/4	4	2	15-1/8	5	33	45-1/8	3736																
	78			11-9/16	9-1/4						16-5/8		39	3766															

Series 700

Specifications and Pricing

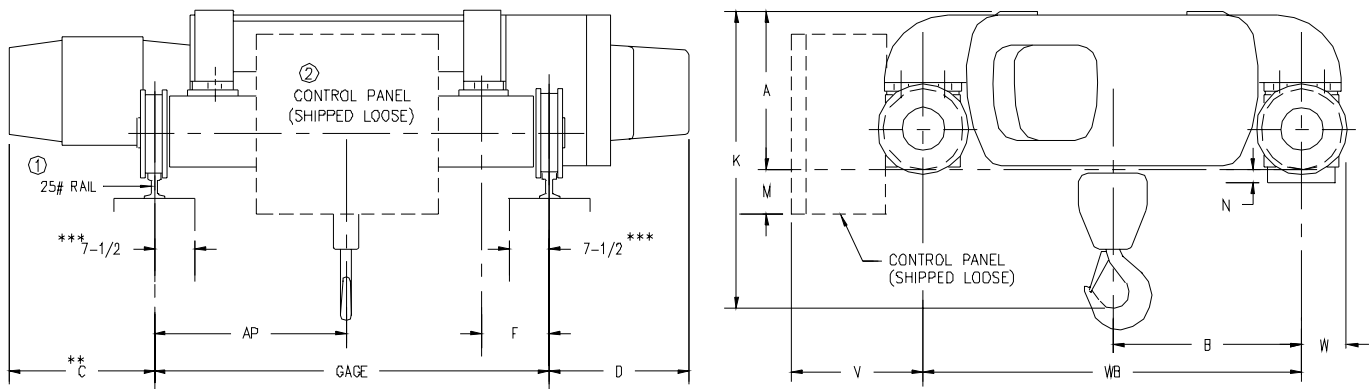
Note: Prices include a junction box with all leads pulled to the box. Prices do not include mounting or wiring of the panel. **Add \$132 mount and wire in the panel.**

7½ Ton / Double Reeved

Catalog Number	Max Lift (ft)	Gage (in)	Hoist Speed (fpm)	Hoist Motor	Rope No. & Dia. (in)	Traverse Speed (fpm)	Wheel Dia. (in)	Traverse Motor	Wt. (lbs)	1-Speed Both Motions	2-Speed Adders				
											Hoist	Trolley			
73T07-037D19*-48	37	48	19	10	6-3/8	65	9	0.75	3565	24019	1197	359			
73T07-037D28*-48			28	15									1396		
72T07-023D14*-66	23	66	14	7.5	6-3/8	65	9	0.75	2100	16634	1197	359			
73T07-037D19*-66	37		19	10									3725	24272	1197
73T07-037D28*-66			28	15									3725	24699	1396
73T07-059D19*-66	59		19	10									3990	25592	1197
73T07-059D28*-66			28	15									3990	26018	1396
72T07-023D14*-78	23		78	14									7.5	6-3/8	65
72T07-039D14*-78	39	14		7.5	2480	18935	1197								
73T07-037D19*-78	37	19		10	3885	24399	1197								
73T07-037D28*-78		28		15	3885	24827	1396								
73T07-059D19*-78	59	19		10	4250	25914	1197								
73T07-059D28*-78		28		15	4250	26339	1396								

*When ordering, the suffix 1 or 2 is added to indicate the number of speed points. Use V for Variable Frequency.

Dimensional Drawings (In Inches)



** Hoist motor or traverse motor — whichever is larger.

*** Max. dimension from \perp of rail to inside of girder to clear rope off of drum.

① Maximum A.S.C.E. Rail size is 25# for 7" wheel, 40# for 9" wheel.

② Panel is approximately 30"x20"x8.8" with a left side vertical hinge.

Trolleys with 48" gage or wide girders may not accommodate the panel as illustrated.

Lift (ft)	Gage	A	B	C	D	F	K	M	N	V	W	AP	WB	Max Wheel Load
23	66	14	21-11/16	10-3/8	4-11/16	15-11/16	35-5/16	8	0	13-3/4	4-9/16	33-3/16	33-1/2	4631
	78				1-3/16	21-11/16						39		4657
39	78				8-7/16	11-15/16								4731
37	48	18-11/16	24-7/8	16-1/8	16	9-11/16	46-5/8	4	2	15-1/8	5	24	45-1/8	5076
	66			11-9/16	7-1/16	18-3/8						33-5/16		5082
	78			9/16	26-11/16	39						5101		
59	66			13-1/4	14-9/16	10-3/8						33		5149
	78			11-9/16	8-9/16	16-5/8						39		5179

Series 700

Specifications and Pricing

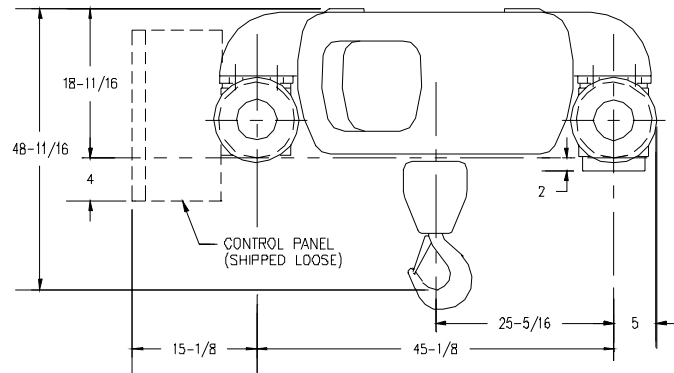
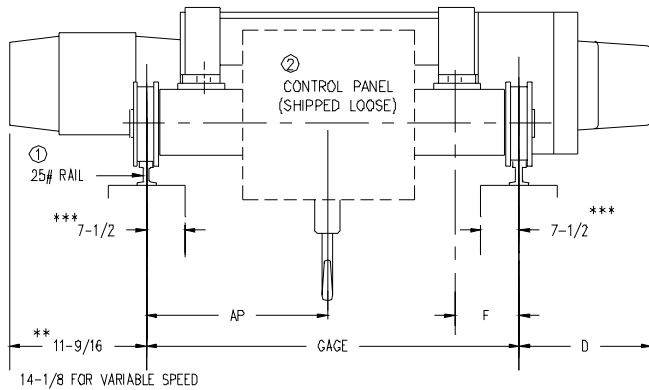
Note: Prices include a junction box with all leads pulled to the box. Prices do not include mounting or wiring of the panel. **Add \$132 mount and wire in the panel.**

10 Ton / Double Reeved

Catalog Number	Max Lift (ft)	Gage (in)	Hoist Speed (fpm)	Hoist Motor	Rope No. & Dia. (in)	Traverse Speed (fpm)	Wheel Dia. (in)	Traverse Motor	Wt. (lbs)	1-Speed Both Motions	2-Speed Adders		
											Hoist	Trolley	
73T10-026D14-*-48	26	48	14	10	8-3/8	65	9	0.75	3565	23307	1197	359	
73T10-026D22-*-48			21	15							1396		
73T10-026D14-*-66			14	10							1197		
73T10-026D22-*-66	42	66	21	15					3725	23561	1396		
73T10-042D14-*-66			14	10					3990	25080	1197		
73T10-042D22-*-66			21	15					3990	25306	1396		
73T10-026D14-*-78	26	78	14	10					3885	23689	1197		
73T10-026D22-*-78			21	15					3885	23915	1396		
73T10-042D14-*-78			14	10					4250	25401	1197		
73T10-042D22-*-78	21		15	4250					25627	1396			
73T10-057D14-*-78	57		78	14					10	4485	26255		1197
73T10-057D22-*-78				21					15	4485	26483		1396

*When ordering, the suffix 1 or 2 is added to indicate the number of speed points. Use V for Variable Frequency.

Dimensional Drawings (In Inches)



** Hoist motor or traverse motor — whichever is larger.

*** Max. dimension from \perp of rail to inside of girder to clear rope off of drum.

Lift (ft)	Gage	D	F	AP	Max Wheel Load
26	48	16	9-11/16	24	6510
	66	7-1/16	18-3/8	33-5/16	6517
	78	1	24-11/16	39	6535
42	66	15-1/2	10-3/8	33	6577
	78	9-1/4	16-5/8	39	6607
57	78	16-1/4	9-5/8		6665

① Maximum A.S.C.E. Rail size is 40# for 9" wheel.

② Panel is approximately 30"x20"x8.8" with a left side vertical hinge.

Trolleys with 48" gage or wide girders may not accommodate the panel as illustrated.

Series 700

Specifications and Pricing

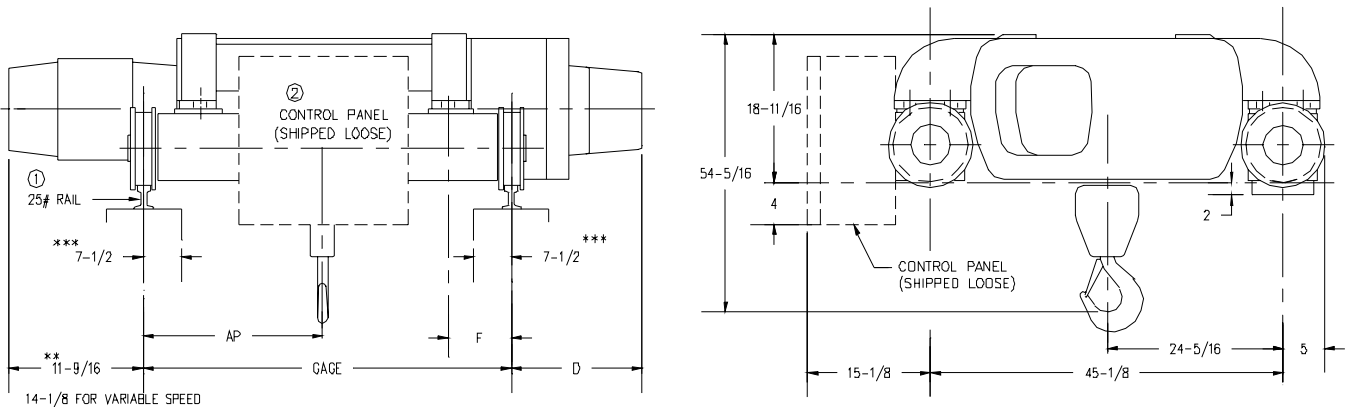
Note: Prices include a junction box with all leads pulled to the box. Prices do not include mounting or wiring of the panel. **Add \$132 mount and wire in the panel.**

15 Ton / Double Reeved

Catalog Number	Max Lift (ft)	Gage (in)	Hoist Speed (fpm)	Hoist Motor	Rope No. & Dia. (in)	Traverse Speed (fpm)	Wheel Dia. (in)	Traverse Motor	Wt. (lbs)	1-Speed Both Motions	2-Speed Adders	
											Hoist	Trolley
73T15-016D09*-48	16	48	9	10	12-3/8	65	9	0.75	3645	26877	1197	359
73T15-016D14*-48			14	15					3645	27103	1396	
73T15-016D09*-66		66	9	10					3805	27129	1197	
73T15-016D14*-66			14	15					3805	27357	1396	
73T15-026D09*-66	26	66	9	10					4145	28268	1197	
73T15-026D14*-66			14	15					4145	28496	1396	
73T15-016D09*-78	16	78	9	10					3965	27257	1197	
73T15-016D14*-78			14	15					3965	27484	1396	
73T15-026D09*-78	26		9	10					4405	28590	1197	
73T15-026D14*-78			14	15					4405	28816	1396	
73T15-036D09*-78	36		9	10					4565	30488	1197	
73T15-036D14*-78			14	15					4565	30715	1396	

*When ordering, the suffix 1 or 2 is added to indicate the number of speed points. Use V for Variable Frequency.

Dimensional Drawings (In Inches)



** Hoist motor or traverse motor — whichever is larger.

*** Max. dimension from \perp of rail to inside of girder to clear rope off of drum.

Lift (ft)	Gage	D	F	AP	Max Wheel Load
16	48	16	9-11/16	24	9328
	66	7-5/16	18-3/8	33	9335
	78	1	24-11/16	39	9353
26	66	15-1/2	10-3/8	33-3/16	9395
	78	9-1/4	16-5/8	39	9425
36	78	16-1/4	9-5/8		9611

① Maximum A.S.C.E. Rail size is 40# for 9" wheel.

② Panel is approximately 30"x20"x8.8" with a left side vertical hinge.

Trolleys with 48" gage or wide girders may not accommodate the panel as illustrated.

Series 700

Specifications and Pricing

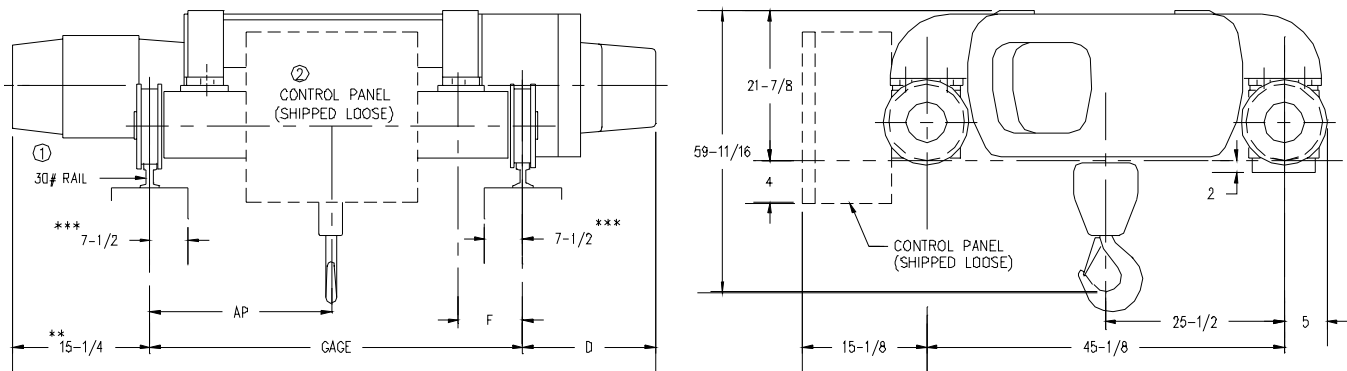
Note: Prices include a junction box with all leads pulled to the box. Prices do not include mounting or wiring of the panel. **Add \$132 mount and wire in the panel.**

20 Ton / Double Reeved

Catalog Number	Max Lift (ft)	Gage (in)	Hoist Speed (fpm)	Hoist Motor	Rope No. & Dia. (in)	Traverse Speed (fpm)	Wheel Dia. (in)	Traverse Motor	Wt. (lbs)	1-Speed Both Motions	2-Speed Hoist 1-Speed Trolley	2-Speed Adders		
												Hoist	Trolley	
73T20-020D08-*66	20	66	8	10	12-7/16	65	9	1.5	4415	30319	-	1197	500	
73T20-020D14-*66			14	20					4615	-	31943	-		
73T20-020D08-*78		78	8	10					4575	30456	-	1197		
73T20-020D14-*78			14	20					4775	-	32079	-		
73T20-027D08-*78			27	8					10	4735	32353	-		1197
73T20-027D14-*78				14					20	4935	-	33979		-

*When ordering, the suffix 1 or 2 is added to indicate the number of speed points. Use V for Variable Frequency.

Dimensional Drawings (In Inches)



** Hoist motor or traverse motor — whichever is larger.

*** Max. dimension from \perp of rail to inside of girder to clear rope off of drum.

Lift (ft)	Gage	D	F	AP	Max Wheel Load
20	66	15-1/2	10-3/8	33	12278
	78	9-1/4	16-5/8	39	12307
16		9-5/8	12347		

① Maximum A.S.C.E. Rail size is 40# for 9" wheel.

② Panel is approximately 30"x20"x8.8" with a left side vertical hinge.

Trolleys with 48" gage or wide girders may not accommodate the panel as illustrated.

DMR-3

Specifications and Pricing

Note: Prices include a junction box with all leads pulled to the box. Prices do not include mounting or wiring of the panel. **Add \$137 mount and wire in the panel.**

7½ Ton / Double Reeved

Catalog Number	Max Lift	Gage (in)	Hoist Speed (fpm)	Hoist Motor	Rope No. & Dia. (in)	Traverse Speed (fpm)	Wheel Dia. (in)	Traverse Motor	Wt. (lbs)	Max. Wheel Load (lbs)	1-Speed Both Motions	2-Speed Adders			
												Hoist	Trolley		
D3M07-035D15-*60	36' - 11"	60	15	7.5 **	4-9/16	75	9	1	4690	5152	33871	1197	500		
D3M07-035D20-*60			20	10 **							34364	1197			
D3M07-035D31-*60			31	15							34202	1396			
D3M07-052D15-*72	52' - 0"	72	15	7.5 **							5000	5230		34441	1197
D3M07-052D20-*72			20	10 **										34935	1197
D3M07-052D31-*72			31	15										34771	1396

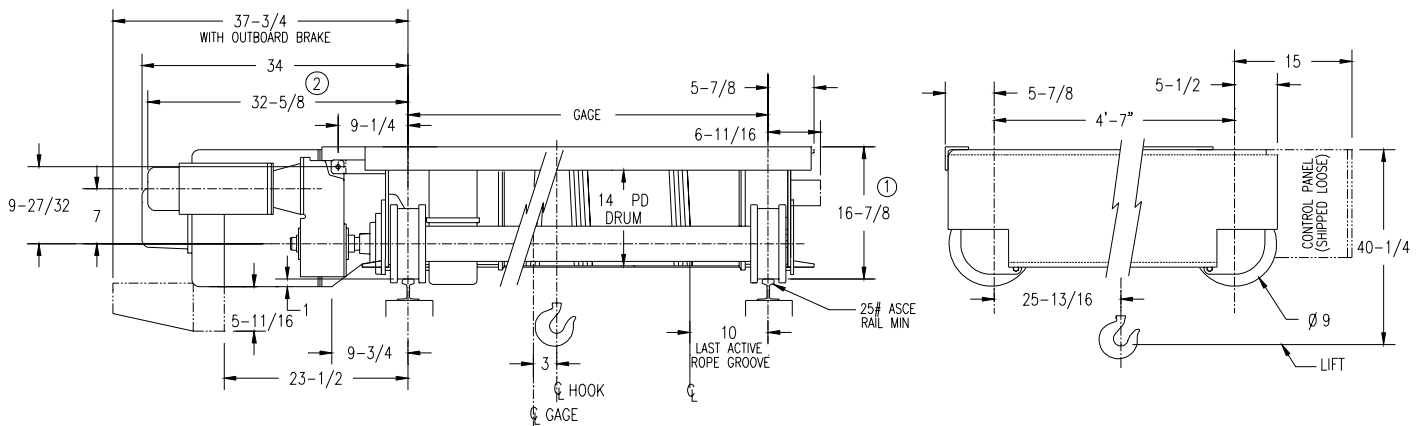
10 Ton / Double Reeved

Catalog Number	Max Lift	Gage (in)	Hoist Speed (fpm)	Hoist Motor	Rope No. & Dia. (in)	Traverse Speed (fpm)	Wheel Dia. (in)	Traverse Motor	Wt. (lbs)	Max. Wheel Load (lbs)	1-Speed Both Motions	2-Speed Adders			
												Hoist	Trolley		
D3M10-035D15-*60	36' - 11"	60	15	10 **	4-9/16	75	9	1	4690	6479	34295	1197	500		
D3M10-035D23-*60			23	15							34135	1396			
D3M10-035D28-*60			28	20							34552	2829			
D3M10-052D15-*72	52' - 0"	72	15	10 **							5000	6556		34866	1197
D3M10-052D23-*72			23	15										34704	1396
D3M10-052D28-*72			28	20										35122	2829

*When ordering, the suffix 1 or 2 is added to indicate the number of speed points. Use V for Variable Frequency.

**Hoist motor is 1200 rpm.

Dimensional Drawings (In Inches)



① To top of trolley. If Conduit is mounted on top of unit, add 3" to height of trolley.

② Length based on a single speed Traverse Motor with HP as listed. Will vary with motor type and HP. Consult factory for exact application.

DMR-3

Specifications and Pricing

Note: Prices include a junction box with all leads pulled to the box. Prices do not include mounting or wiring of the panel. **Add \$137 mount and wire in the panel.**

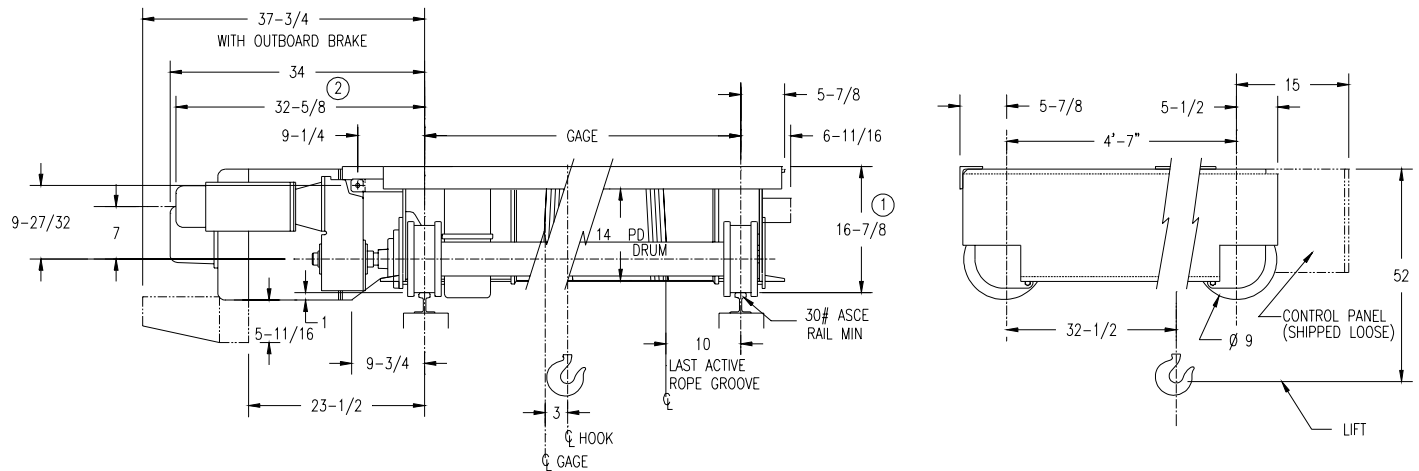
15 Ton / Double Reeved

Catalog Number	Max Lift	Gage (in)	Hoist Speed (fpm)	Hoist Motor	Rope No. & Dia. (in)	Traverse Speed (fpm)	Wheel Dia. (in)	Traverse Motor	Wt. (lbs)	Max. Wheel Load (lbs)	1-Speed Both Motions	2-Speed Adders						
												Hoist	Trolley					
D3M15-028D10-*60	28' - 8"	60	10	10 **	6-9/16	75	9	1	4690	10036	34469	1197	500					
D3M15-028D15-*60			15	15							34308	1396						
D3M15-028D19-*60			19	20							34725	2829						
D3M15-039D10-*72	39' - 8"	72	10	10 **							35038	1197						
D3M15-039D15-*72			15	15							34877	1396						
D3M15-039D19-*72			19	20							35296	2829						
D3M15-050D10-*84	50' - 8"	84	10	10 **					6-9/16	75	9	1		5310	10191	35606	1197	500
D3M15-050D15-*84			15	15												35446	1396	
D3M15-050D19-*84			19	20												35863	2829	

*When ordering, the suffix 1 or 2 is added to indicate the number of speed points. Use V for Variable Frequency.

**Hoist motor is 1200 rpm.

Dimensional Drawings (In Inches)



① To top of trolley. If Conduit is mounted on top of unit, add 3" to height of trolley.

② Length based on a single speed Traverse Motor with HP as listed. Will vary with motor type and HP. Consult factory for exact application.

DMR-3

Specifications and Pricing

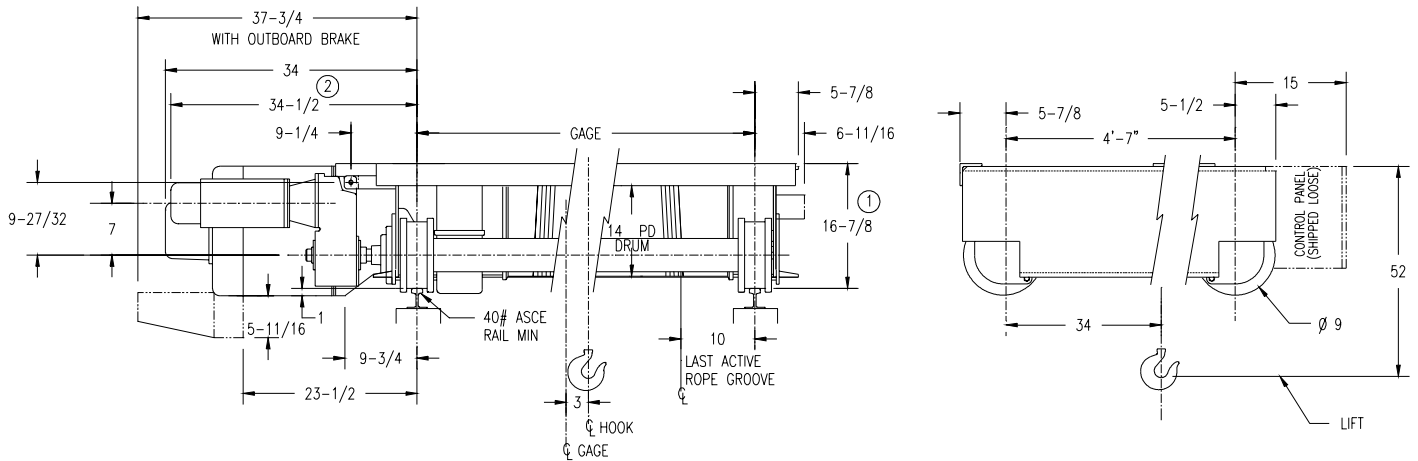
Note: Prices include a junction box with all leads pulled to the box. Prices do not include mounting or wiring of the panel. Add \$137 mount and wire in the panel.

20 Ton / Double Reeved

Catalog Number	Max Lift	Gage (in)	Hoist Speed (fpm)	Hoist Motor	Rope No. & Dia. (in)	Traverse Speed (fpm)	Wheel Dia. (in)	Traverse Motor	Wt. (lbs)	Max. Wheel Load (lbs)	1-Speed Both Motions	2-Speed Adders	
												Hoist	Trolley
D3M20-020D11-*60	20' - 10"	60	11	15	8-9/16	75	9	1.5	4790	13561	35053	1396	500
D3M20-020D14-*60			14	20							35480	2829	
D3M20-029D11-*72	29' - 1"	72	11	15					5100	13638	35622	1396	
D3M20-029D14-*72			14	20							36051	2829	
D3M20-037D11-*84	37' - 3"	84	11	15					5410	13716	36192	1396	
D3M20-037D14-*84			14	20							36620	2829	
D3M20-045D11-*96	45' - 6"	96	11	15					5720	13793	36762	1396	
D3M20-045D14-*96			14	20							37189	2829	
D3M20-053D11-*108	53' - 9"	108	11	15					6030	13871	37332	1396	
D3M20-053D14-*108			14	20							37758	2829	

*When ordering, the suffix 1 or 2 is added to indicate the number of speed points. Use V for Variable Frequency.

Dimensional Drawings (In Inches)



- ① To top of trolley. If Conduit is mounted on top of unit, add 3" to height of trolley.
- ② Length based on a single speed Traverse Motor with HP as listed.
Will vary with motor type and HP. Consult factory for exact application.

DMR-3

Specifications and Pricing

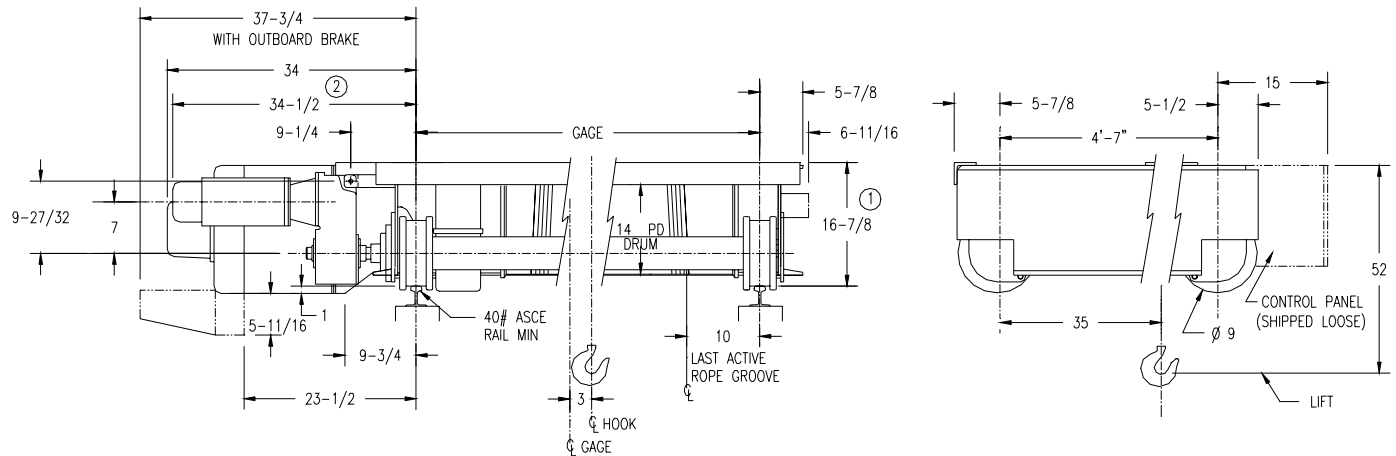
Note: Prices include a junction box with all leads pulled to the box. Prices do not include mounting or wiring of the panel. **Add \$137 mount and wire in the panel.**

25 Ton / Double Reeved

Catalog Number	Max Lift	Gage (in)	Hoist Speed (fpm)	Hoist Motor	Rope No. & Dia. (in)	Traverse Speed (fpm)	Wheel Dia. (in)	Traverse Motor	Wt. (lbs)	Max. Wheel Load (lbs)	1-Speed Both Motions	2-Speed Adders	
												Hoist	Trolley
D3M25-018D08-*60	18' - 8"	60	8	15	10-1/2	75	9	2	5090	17181	35941	1396	500
D3M25-018D11-*60			11	20							36369	2829	
D3M25-026D08-*72	26' - 6"	72	8	15					5400	17259	36512	1396	
D3M25-026D11-*72			11	20							36938	2829	
D3M25-034D08-*84	34' - 4"	84	8	15					5710	17336	37081	1396	
D3M25-034D11-*84			11	20							37508	2829	
D3M25-041D08-*96	42' - 1"	96	8	15					6020	17414	37651	1396	
D3M25-041D11-*96			11	20							38076	2829	
D3M25-049D08-*108	50' - 0"	108	8	15					6330	17491	38219	1396	
D3M25-049D11-*108			11	20							38647	2829	
D3M25-057D08-*120	57' - 9"	120	8	15					6640	17569	38789	1396	
D3M25-057D11-*120			11	20							39217	2829	

*When ordering, the suffix 1 or 2 is added to indicate the number of speed points. Use V for Variable Frequency.

Dimensional Drawings (In Inches)



- ① To top of trolley. If Conduit is mounted on top of unit, add 3" to height of trolley.
- ② Length based on a single speed Traverse Motor with HP as listed. Will vary with motor type and HP. Consult factory for exact application.

DMR-3

Specifications and Pricing

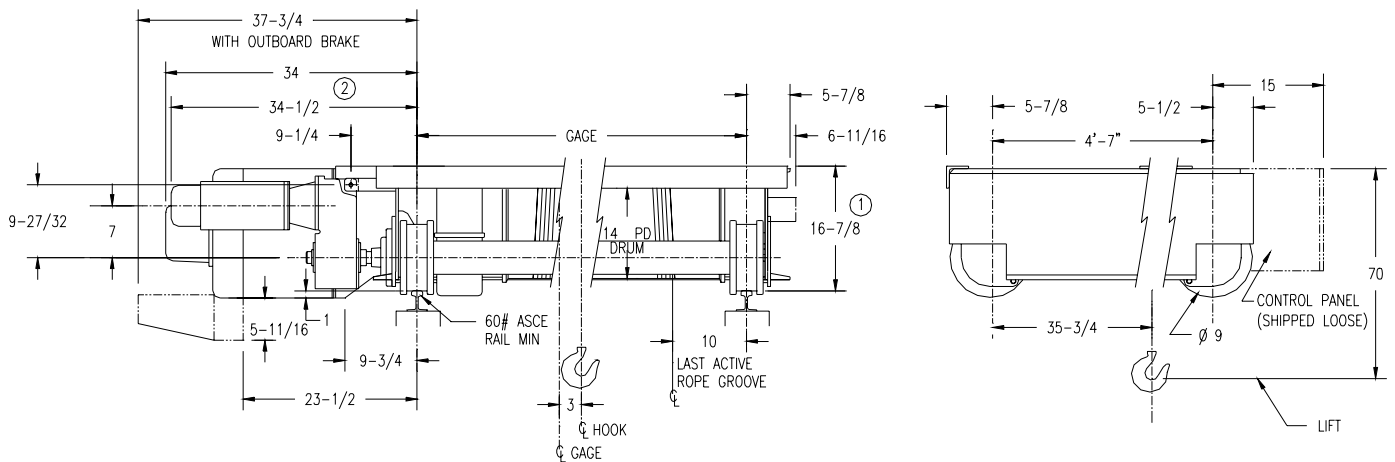
Note: Prices include a junction box with all leads pulled to the box. Prices do not include mounting or wiring of the panel. **Add \$137 mount and wire in the panel.**

30 Ton / Double Reeved

Catalog Number	Max Lift	Gage (in)	Hoist Speed (fpm)	Hoist Motor	Rope No. & Dia. (in)	Traverse Speed (fpm)	Wheel Dia. (in)	Traverse Motor	Wt. (lbs)	Max. Wheel Load (lbs)	1-Speed Both Motions	2-Speed Adders	
												Hoist	Trolley
D3M30-013D07-*60	13' - 9"	60	7	15	12-1/2	75	9	2	5400	20440	38102	1396	500
D3M30-013D09-*60			9	20							38516	2829	
D3M30-020D07-*72	20' - 4"	72	7	15					5710	20518	38655	1396	
D3M30-020D09-*72			9	20							39070	2829	
D3M30-026D07-*84	26' - 10"	84	7	15					6020	20595	39207	1396	
D3M30-026D09-*84			9	20							39622	2829	
D3M30-033D07-*96	33' - 3"	96	7	15					6330	20673	39761	1396	
D3M30-033D09-*96			9	20							40176	2829	
D3M30-039D07-*108	39' - 10"	108	7	15					6640	20750	40315	1396	
D3M30-039D09-*108			9	20							40727	2829	
D3M30-046D07-*120	46' - 4"	120	7	15					6950	20828	40867	1396	
D3M30-046D09-*120			9	20							41280	2829	

*When ordering, the suffix 1 or 2 is added to indicate the number of speed points. Use V for Variable Frequency.

Dimensional Drawings (In Inches)



① To top of trolley. If Conduit is mounted on top of unit, add 3" to height of trolley.

② Length based on a single speed Traverse Motor with HP as listed. Will vary with motor type and HP. Consult factory for exact application.

DMR-4

Specifications and Pricing

Note: Prices include a junction box with all leads pulled to the box. Prices do not include mounting or wiring of the panel. **Add \$137 mount and wire in the panel.**

25 Ton / Double Reeved

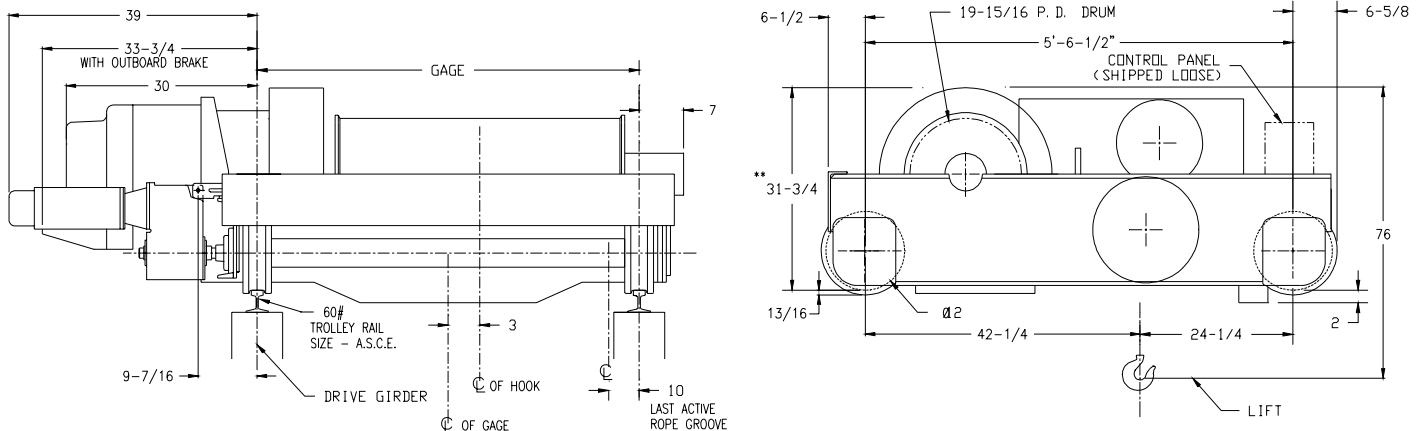
Catalog Number	Max Lift	Gage (in)	Hoist Speed (fpm)	Hoist Motor	Rope No. & Dia. (in)	Traverse Speed (fpm)	Wheel Dia. (in)	Traverse Motor	Wt. (lbs)	Max. Wheel Load (lbs)	1-Speed Both Motions	2-Speed Adders	
												Hoist	Trolley
D4M25-025D08-*72	25' - 9"	72	8	15	12-9/16	65	12	2	7100	17658	54337	1396	500
D4M25-025D11-*72			11	20							54765	2829	
D4M25-033D08-*84	33' - 6"	84	8	15					7580	17778	55134	1396	
D4M25-033D11-*84			11	20							55561	2829	
D4M25-041D08-*96	41' - 6"	96	8	15					8060	17898	55931	1396	
D4M25-041D11-*96			11	20							56360	2829	
D4M25-049D08-*108	49' - 3"	108	8	15					8540	18018	56730	1396	
D4M25-049D11-*108			11	20							57155	2829	
D4M25-057D08-*120	57' - 0"	120	8	15					9020	18138	57527	1396	
D4M25-057D11-*120			11	20							57954	2829	

30 Ton / Double Reeved

Catalog Number	Max Lift	Gage (in)	Hoist Speed (fpm)	Hoist Motor	Rope No. & Dia. (in)	Traverse Speed (fpm)	Wheel Dia. (in)	Traverse Motor	Wt. (lbs)	Max. Wheel Load (lbs)	1-Speed Both Motions	2-Speed Adders	
												Hoist	Trolley
D4M30-025D06-*72	25' - 9"	72	6.5	15	12-9/16	65	12	2	7100	20835	54357	1396	500
D4M30-025D08-*72			8.5	20							54782	2829	
D4M30-033D06-*84	33' - 6"	84	6.5	15					7580	20955	55152	1396	
D4M30-033D08-*84			8.5	20							55581	2829	
D4M30-041D06-*96	41' - 6"	96	6.5	15					8060	21075	55951	1396	
D4M30-041D08-*96			8.5	20							56376	2829	
D4M30-049D06-*108	49' - 3"	108	6.5	15					8540	21195	56747	1396	
D4M30-049D08-*108			8.5	20							57175	2829	
D4M30-057D06-*120	57' - 0"	120	6.5	15					9020	21315	57545	1396	
D4M30-057D08-*120			8.5	20							57972	2829	

*When ordering, the suffix 1 or 2 is added to indicate the number of speed points. Use V for Variable Frequency.

Dimensional Drawings (In Inches)



**A junction box will extend 3" over this dimension.

Note: DMR #4 trolleys are not factory load tested or reeved. Load testing and reeving must be done in the field by the Dealer. Requires Eddy Current load brake with 5-point hoist control if the full lift is used at maximum capacity.

DMR-4

Specifications and Pricing

Note: Prices include a junction box with all leads pulled to the box. Prices do not include mounting or wiring of the panel. **Add \$137 mount and wire in the panel.**

35 Ton / Double Reeved

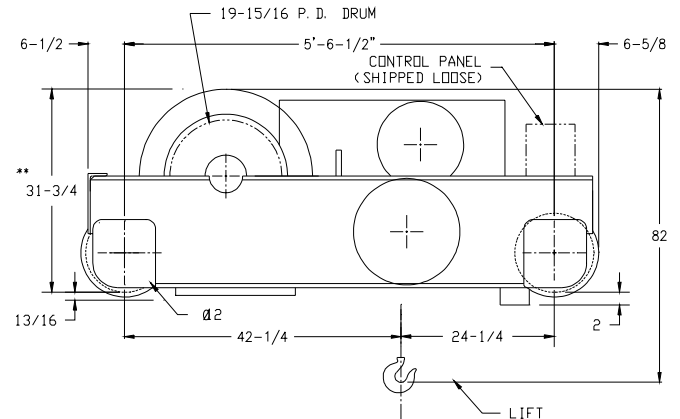
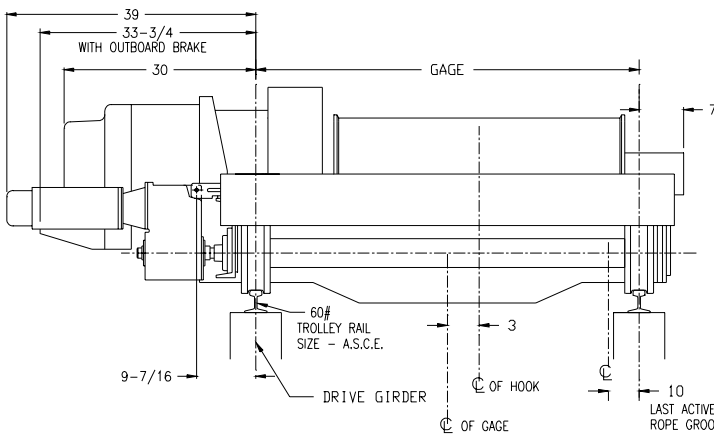
Catalog Number	Max Lift	Gage (in)	Hoist Speed (fpm)	Hoist Motor	Rope No. & Dia. (in)	Traverse Speed (fpm)	Wheel Dia. (in)	Traverse Motor	Wt. (lbs)	Max. Wheel Load (lbs)	1-Speed Both Motions	2-Speed Adders	
												Hoist	Trolley
D4M35-024D05-*72	24' - 6"	72	5.8	15	12-5/8	65	12	2	8500	24361	55491	1396	500
D4M35-024D07-*72			7.3	20							55919	2829	
D4M35-031D05-*84	31' - 6"	84	5.8	15					8990	24484	56288	1396	
D4M35-031D07-*84			7.3	20							56715	2829	
D4M35-039D05-*96	39' - 6"	96	5.8	15					9480	24606	57086	1396	
D4M35-039D07-*96			7.3	20							57512	2829	
D4M35-047D05-*108	47' - 0"	108	5.8	15					9970	24729	57882	1396	
D4M35-047D07-*108			7.3	20							58310	2829	
D4M35-054D05-*120	54' - 3"	120	5.8	15					104-60	24851	58680	1396	
D4M35-054D07-*120			7.3	20							59107	2829	

40 Ton / Double Reeved

Catalog Number	Max Lift	Gage (in)	Hoist Speed (fpm)	Hoist Motor	Rope No. & Dia. (in)	Traverse Speed (fpm)	Wheel Dia. (in)	Traverse Motor	Wt. (lbs)	Max. Wheel Load (lbs)	1-Speed Both Motions	2-Speed Adders	
												Hoist	Trolley
D4M40-024D04-*72	24' - 6"	72	4.8	15	12-5/8	65	12	2	8600	27563	56739	1396	500
D4M40-024D06-*72			6.5	20							57168	2829	
D4M40-031D04-*84	31' - 6"	84	4.8	15					9110	27691	57538	1396	
D4M40-031D06-*84			6.5	20							57963	2829	
D4M40-039D04-*96	39' - 6"	96	4.8	15					9620	27818	58335	1396	
D4M40-039D06-*96			6.5	20							58762	2829	
D4M40-047D04-*108	47' - 0"	108	4.8	15					10130	27946	59133	1396	
D4M40-047D06-*108			6.5	20							59559	2829	
D4M40-054D04-*120	54' - 3"	120	4.8	15					10640	28073	59929	1396	
D4M40-054D06-*120			6.5	20							60357	2829	

*When ordering, the suffix 1 or 2 is added to indicate the number of speed points. Use V for Variable Frequency.

Dimensional Drawings (In Inches)



**A junction box will extend 3" over this dimension.

Note: DMR #4 trolleys are not factory load tested or reeved. Load testing and reeving must be done in the field by the Dealer. Requires Eddy Current load brake with 5-point hoist control if the full lift is used at maximum capacity.

DMR-5

Specifications and Pricing

Note: Prices include a junction box with all leads pulled to the box. Prices do not include mounting or wiring of the panel. **Add \$137 mount and wire in the panel.**

50 Ton / Double Reeved

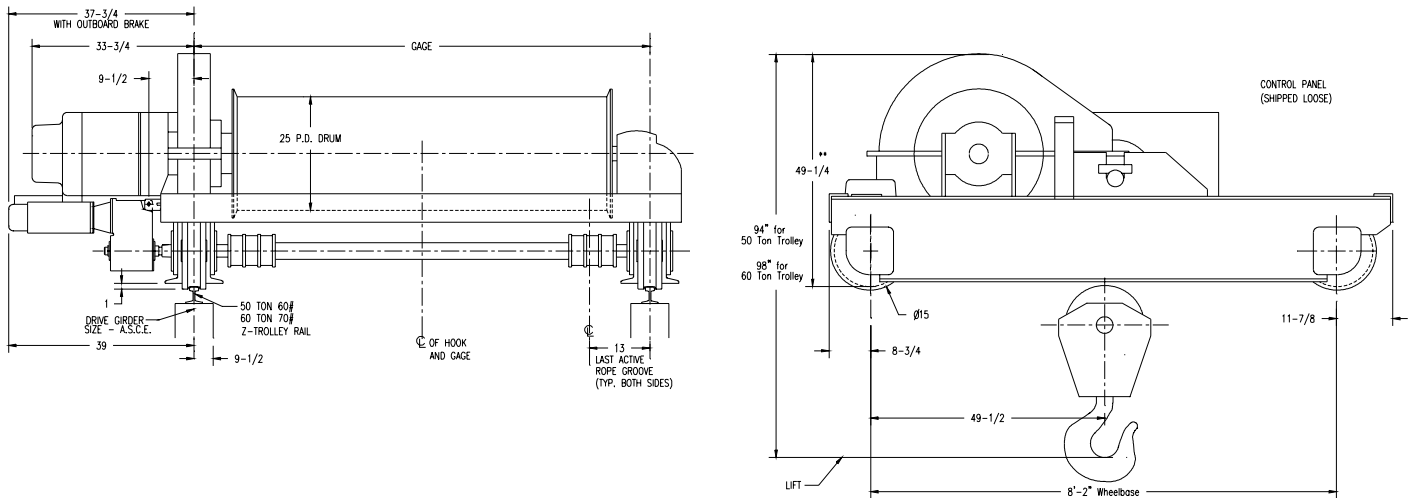
Catalog Number	Max Lift	Gage (in)	Hoist Speed (fpm)	Hoist Motor	Rope No. & Dia. (in)	Traverse Speed (fpm)	Wheel Dia. (in)	Traverse Motor	Wt. (lbs)	Max. Wheel Load (lbs)	1-Speed Both Motions	2-Speed Adders	
												Hoist	Trolley
D5M50-031D04-*96	31' - 6"	96	4	15	16-5/8	80	15	5	14260	28820	79011	1396	500
D5M50-031D05-*96			5	20							79437	2829	
D5M50-038D04-*108	38' - 6"	108	4	15					14840	28965	81097	1396	
D5M50-038D05-*108			5	20							81525	2829	
D5M50-045D04-*124	45' - 6"	120	4	15					15420	29110	83186	1396	
D5M50-045D05-*124			5	20							83613	2829	

60 Ton / Double Reeved

Catalog Number	Max Lift	Gage (in)	Hoist Speed (fpm)	Hoist Motor	Rope No. & Dia. (in)	Traverse Speed (fpm)	Wheel Dia. (in)	Traverse Motor	Wt. (lbs)	Max. Wheel Load (lbs)	1-Speed Both Motions	2-Speed Adders	
												Hoist	Trolley
D5M60-031D04-*96	31' - 6"	96	4	20	16-5/8	80	15	5	14360	33896	81306	2829	500
D5M60-038D04-*108	38' - 6"	108	4	20					14940	34041	83394	2829	
D5M60-045D04-*124	45' - 6"	120	4	20					15520	34186	85483	2829	

*When ordering, the suffix 1 or 2 is added to indicate the number of speed points. Use V for Variable Frequency.

Dimensional Drawings (In Inches)



**A junction box will extend 3" over this dimension.

Note: DMR #5 trolleys are not factory load tested or reeved. Load testing and reeving must be done in the field by the Dealer. Requires Eddy Current load brake with 5-point hoist control if the full lift is used at maximum capacity.

Series 700 & DMR

Modifications & Accessories

The options apply only to Hoists and Trolleys in this bulletin

CONTROL MOUNTING & WIRING CHARGE (For Size 2 & 3 Trolley Hoists Only)

Provide Junction Box, pull leads, run wires, ship Panel Loose	\$92
Mount & Wire in Panel	226

TWO SPEED TRAVERSE CONTROL: (ADD TO SINGLE SPEED) through 3/4 hp	359
Two Speed 2:1 ratio on all Trolleys over 3/4 hp	500

CONTROL DEDUCTS

Omits: Contactors, transformer & pushbutton
Leaves: Brake and brake control module.

700 Series Hoist

2-5 hp (single speed)	deduct	-(126)
2-5 hp (two speed)	deduct	-(157)
7½-10 hp (single speed)	deduct	-(292)
7½-10 hp (two speed)	deduct	-(437)
15-20 hp (single speed)	deduct	-(448)
15-20 hp (two speed)	deduct	-(744)

Trolley

Single speed	deduct	-(72)
--------------------	--------------	-------

BALLAST RESISTORS FOR TRAVERSE MOTION (SINGLE SPEED ONLY)	252
--	------------

ELECTRONIC SOFT START FOR TROLLEY TRAVERSE: (Ratings are Total HP)

Single Speed:	230 Volt 3/4 HP Max.	242
	230 Volt 2 HP Max.	391
	230 Volt 6 HP Max.	886
	460 Volt 2 HP Max.	242
	460 Volt 5 HP Max.	391
	460 Volt 10 HP Max.	886
	575 Volt 10 HP Max.	886
Two Speed:	230 Volt 3/4 HP Max.	314
	230 Volt 2 HP Max.	391
	230 Volt 6 HP Max.	886
	460 Volt 2 HP Max.	314
	460 Volt 5 HP Max.	391
	460 Volt 10 HP Max.	886
	575 Volt 10 HP Max.	886

ENCLOSURES:

NEMA 4/12	Standard on all size 2, 3 & DMR Trolleys
Explosion Proof & Spark Resistant Features	See Optional Equipment Pricing Section of Main Catalog

NEMA RATED CONTACTORS:

HOIST CONTROL:

1-5 HP (single speed)	649
1-5 HP (two speed)	867
1-5 HP (three speed)	936
1-5 HP (five speed)	1121
7 1/2 - 10 HP (single speed)	847
7 1/2 - 10 HP (two speed)	1375
7 1/2 - 10 HP (three speed)	1489
7 1/2 - 10 HP (five speed)	1674
15-25 HP (single speed)	1103
15-25 HP (two speed)	1515
15-25 HP (three speed)	2206
15-25 HP (five speed)	3291

TROLLEY CONTROL:

Single Speed	649
Two Speed	867
Three Speed	936
Five Speed	1121

FUSES: (Standard on DMR Hoist & Trolley)

Hoist Only	250
Hoist and Trolley	291

Series 700 & DMR

Specifications
and Pricing

Modifications & Accessories

The options apply only to Hoists and Trolleys in this bulletin

SPECIAL VOLTAGE: (Add for each motor)

190/3/50 hertz or 380/3/50 hertz (reduces speeds and HP by 1/6)	
1/2-5 hp	\$114
7 1/2-20 hp	384
208/3/60 HERTZ OR 575/3/60	NC

THERMAL PROTECTION: (PER MOTION)

Thermostatic Type in Motor Winding, single or two speed control	Standard
Thermal Overload Relays:	
For I.E.C. (Standard) Contactor Control	
Single Speed Control	157
Two Speed Control	304
For NEMA Contactor Control	
Single Speed Control	473
Two Speed Control	910

LIMIT SWITCHES:

Hoist (adds to base hoist price)

Size 2 & 3 Deck Mounted Hoists

Geared type upper and lower (control circuit) 2 element (NEMA 4)	Standard
Block operated (control circuit) limit switch (NEMA 4)	Standard
Block operated power contactor type (NEMA 4) Adds 4" to headroom	1058
Block operated upper power circuit type (NEMA 1) *Adds 12" to headroom	
Thru 10 HP	5304
Thru 25 HP	5512
*Add \$786 for NEMA 4	

DMR Trolleys

Geared type upper and lower (control circuit) 2 element (NEMA 4)	Standard
Block operated (control circuit) limit switch (NEMA 4)	Standard
Block operated power contactor type (NEMA 4) Adds 4" to headroom	1928
Block operated upper power circuit type (NEMA 1) Adds 12" to headroom	
Thru 25 HP @ 460 Volts, Thru 20 HP @ 230 Volts	3947

Trolley Traverse

Trolley travel type (NEMA 4/12)	1021
---------------------------------------	------

A.C. DISC TRAVERSE BRAKE, 50% TORQUE (Standard on DMR #3, 4 & 5 only)	354
---	-----

OVER CAPACITY LIFT PROTECTION

Single reeved only (adds 10" to headroom, not available on DMR Trolleys)

Electronic Stinson (NEMA 1)	1570
Electronic Stinson (NEMA 4/12)	2340
Electronic Dillion (NEMA 1)	1750
Electronic Dillion (NEMA 4/12)	2424

Double reeved only (no headroom increase)

Electronic Dillion (NEMA 1)	2693
Electronic Dillion (NEMA 4/12)	3366

Weight Watcher Overload (not available on 25 hp or larger motors)

Built in mechanical overload device factory installed	314
---	-----

TROLLEY BUMPERS:

Rubber	342
Spring	518

HOOK LATCH:

Spring Type	Standard
-------------------	----------

Bullard Type: (hook & latch) Will increase headroom and delivery lead time. Consult factory for details

5 ton capacity	346
7 1/2 - 10 ton capacity	490
15 ton capacity	1156
20 ton capacity	2674
25 ton capacity	3119

OPTIONAL TROLLEY TRAVERSE SPEEDS:

Size 2 trolley (7" wheels, 70 F.P.M. standard speed)

50 F.P.M. (50 F.P.M. Suitable for Single speed or V.F.C control. Not for 2 speed)	315
100 F.P.M.	244

Series 700 & DMR

Modifications & Accessories

The options apply only to Hoists and Trolleys in this bulletin

OPTIONAL TROLLEY TRAVERSE SPEEDS: (continued)

Size 3 trolley (9" wheels, 65 F.P.M. standard speed)	
30 F.P.M. (30 F.P.M. Suitable for Single speed or V.F.C control. Not for 2 speed)	\$315
80 F.P.M.	244
DMR #3 trolley (9" wheels, 75 F.P.M. standard speed)	
50 F.P.M.	315
100 F.P.M.	244
(consult factory for other speeds that may be available)	

HOIST MOTOR BRAKE:

DC Disc type (all hoists in this price book)	Standard
10" DC shoe type (for DMR hoists only)	3619
Adds to the trolley width. Check Specification book for Dimension.	

SPECIAL PAINT: Shaw-Box yellow enamel add:	123
Shaw-Box epoxy primer & finish (blue or yellow) add:	
5 thru 7 1/2 ton	643
10 ton thru 25 ton	684

AUXILIARY HOIST: Auxiliary Hoists are available on DMR-3, 4 and 5 trolleys. Consult factory for pricing and specifications.

VARIABLE FREQUENCY CONTROL - 2-STEP INFINITELY VARIABLE

Prices are to be added to the base hoist/trolley price with single speed control. The standard control is programmed for 2-step, infinitely variable on the second step. Price adds include; wiring, panel modifications, deletion of the standard control and modifications of the motion's pushbuttons for 2-step control. **These are add prices, not stand alone panel prices. Do not deduct for the standard controls.** To order, use a V for the last digit of the hoist/trolley catalog number to specify type of control.

NOTE: Three step control is available by specifying on the order and pricing out the add for 3-step pendant buttons. For explosion proof applications contact factory.

Inverter Controls for 700 Series Deck Hoists & DMR Trolleys - For Hoist or Trolley Motion

Maximum HP	Inverter Size	List Price Adds	
		230 volts	460 volts
1	P3	751	854
2		964	854
3		998	974
5		1295	1258
7½		1711	1804
10		2007	2111
15	G+	5596	5675
20		5905	7046

Maximum HP	Inverter Size	List
		575 volts
3	G+	3040
5		2501
7½		3014
10		3424
15		7038
20		7191

Standard Features:

- 2-Step infinitely variable
- Modification of motion pushbuttons to 2-Step
- NEMA 4/12 enclosure
- Dynamic Braking Resistor
- Key Pad Programming
- Set at 10 HZ low and 60 HZ high
- Fusing
- Rated for H-4 Hoist or Trolley Service
- Applicable on 1200 R.P.M. & Greater Motors
- Ranges greater than 6:1 available - Consult Factory

Note: Apply to factory for pricing on these features:
Wound Rotor Motors
Eddy Current Load Brakes

Series 700 & DMR

Specifications
and Pricing

Modifications & Accessories

The options apply only to Hoists and Trolleys in this bulletin

Flux Vector Control for 700 Series Deck Mounted Hoists and DMR Trolleys

Add for Flux Vector over base single speed hoist control

The following prices are to be added to the base price of a single speed hoist.

Prices Include;

- Flux Vector Drive
- 5-step control as standard
- Dynamic braking resistor
- NEMA 4/12 enclosure
- External, Air-Cooled A.C. Disc Brake
- Continuous rated motor with Class H Insulation
- Motor-mounted encoder
- No pushbuttons included

***Panel shipped loose.** Please call factory for panel size. Standard hinged is bottom/horizontal. Call for options on other panel door arrangements.

Hoist Motor		700 Series Deck or DMR Trolley		
H.P.	R.P.M.	230 Volts	460 Volts	575 Volts
5	1800	7872	8205	8414
	1200	8482	8815	9048
7½	1800	7887	8311	8528
	1200	8589	8992	9204
10	1800	9315	9439	9672
	1200	10137	10260	10582
15	1800	11977	11898	12116
20		12902	14058	14248

*Mounting, wiring and testing charge for the 700 Series Trolley or the DMR trolley is \$900

1200 R.P.M. MOTORS — WHERE USED

As noted above, Flux Vector price adds for a given horsepower vary depending on the motor R.P.M. Listed are the cataloged hoists that have 1200 R.P.M. motors. However, if you have a special application or any questions, please do not hesitate to contact the factory.

700 Series Trolleys					
Tons Capacity	Series	Reeved For	Feet Lift	Hoist Speed	Hoist H.P.
5	Size 2	T.V.L.	18	13	5
			35		
7.5	Size 3		37	19	10
			59		
10			26	14	
			42		
			57		
15			16	9	
			26		
			36		
20			20	8	
			27		

DMR #3 Trolleys		
Tons Capacity	Hoist Speed	Hoist H.P.
7.5	15	7.5
	20	10
10	15	
15	10	10

World Series

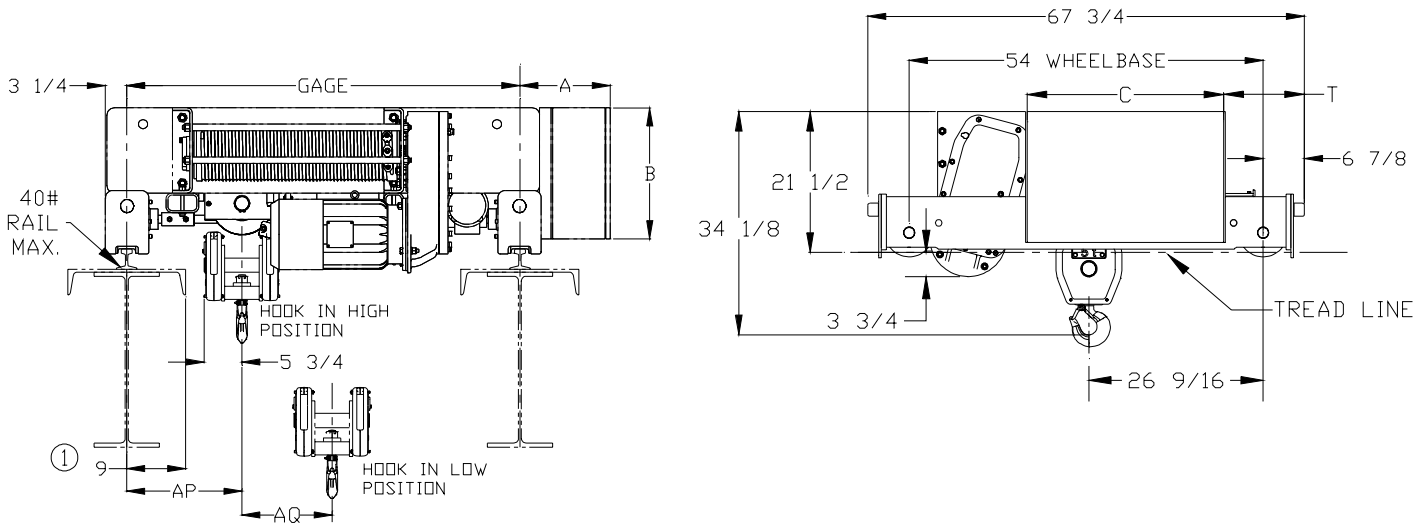
Specifications and Pricing

Note: Prices include control panel mounting and wiring.
Add \$262 to pull all leads to a junction box and package and ship panel loose.

5 Tonne / Single Reeved

Catalog Number	Max Lift (ft)	Gage (in)	Hoist Speed (fpm)	Hoist Motor	Rope No. & Dia. (in)	Traverse Speed (fpm)	Wheel Dia. (in)	Traverse Motor	Weight (lbs)	Max. Wheel Load (lbs)	List Price
WB2T05-025S20-2-60	25	60	20/3.3	7.5/1.25	4-3/8	60/20	6	.5/.17	1945	4447	8491
WB2T05-025S20-2-66		66							1970	4093	8573
WB2T05-025S20-2-72		72							1995	3799	8654
WB2T05-025S20-2-78		78							2020	3551	8736
WB2T05-040S20-2-78	40	78							2077	4640	9168
WB2T05-040S20-2-84		84							2102	4352	9250
WB2T05-040S20-2-90		90							2127	4104	9331
WB2T05-040S20-2-96		96							2152	3881	9413

Dimensional Drawings (In Inches) for the 5-tonne trolley



Max. Lift	Gage	AP	AQ
25	60	17-9/16	6
	66	23-9/16	
	72	29-9/16	
	78	35-9/16	
40	78	20-11/16	9-11/16
	84	26-11/16	
	90	32-11/16	
	96	38-11/16	

Control Panel Dimensions				
Volts	A	B	C	T
460	11-13/16	16	20	22-7/8
230 575	13-13/16	20	30	12-7/8

Note:

① 8 3/4" maximum based on 60" gage - increases as gage increases
 40# ASCE trolley rail is maximum

World Series

Specifications and Pricing

Note: Prices include control panel mounting and wiring.
Add \$262 to pull all leads to a junction box and package and ship panel loose.

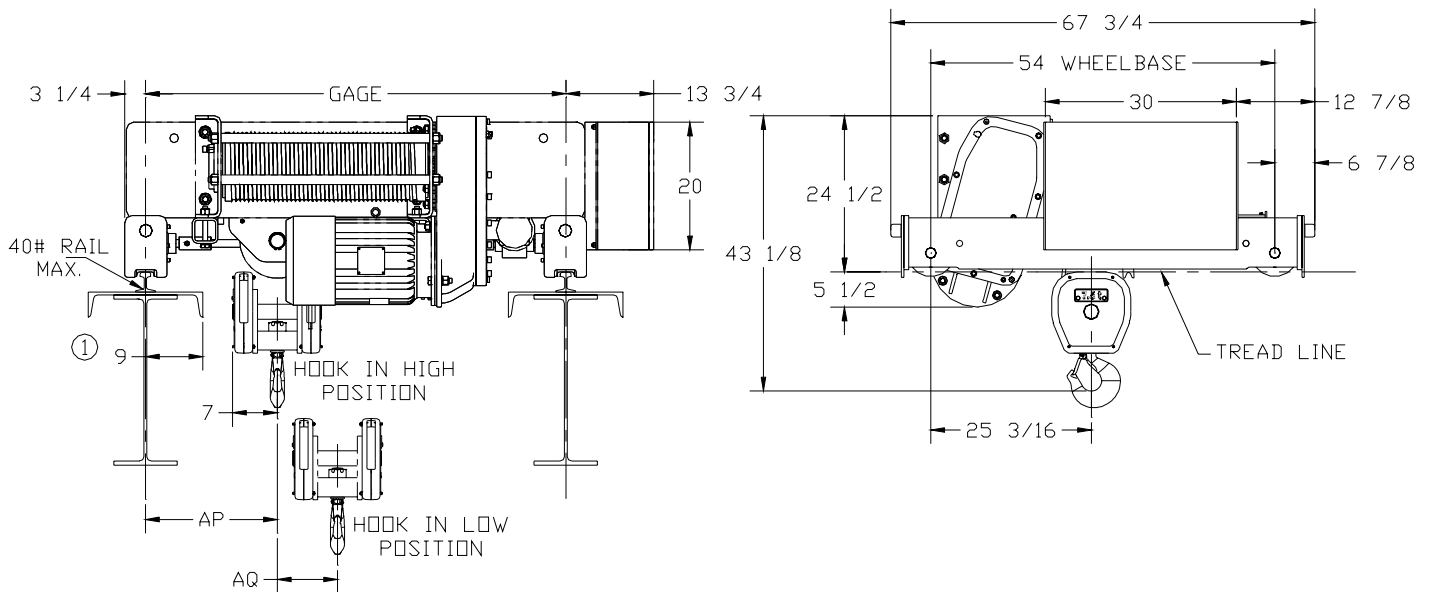
7½ Tonne / Single Reeved

Catalog Number	Max Lift (ft)	Gage (in)	Hoist Speed (fpm)	Hoist Motor	Rope No. & Dia. (in)	Traverse Speed (fpm)	Wheel Dia. (in)	Traverse Motor	Weight (lbs)	Max. Wheel Load (lbs)	List Price
WC2T07-025S24-2-66	25	66	24/4	15/2.5	4-1/2	60/20	6	.5/.17	3040	6941	12121
WC2T07-025S24-2-72		72							3085	6437	12214
WC2T07-025S24-2-78		78							3130	6012	12307
WC2T07-025S24-2-84		84							3175	5650	12400
WC2T07-040S24-2-84	40	84						3200	7126	12700	
WC2T07-040S24-2-90		90						3245	6716	12782	
WC2T07-040S24-2-96		96						3290	6358	12864	

10 Tonne / Single Reeved

Catalog Number	Max Lift (ft)	Gage (in)	Hoist Speed (fpm)	Hoist Motor	Rope No. & Dia. (in)	Traverse Speed (fpm)	Wheel Dia. (in)	Traverse Motor	Weight (lbs)	Max. Wheel Load (lbs)	List Price
WC2T10-025S20-2-66	25	66	20/3.3	15/2.5	4-1/2	60/20	6	.75/.25	3040	9001	12121
WC2T10-025S20-2-72		72							3085	8325	12214
WC2T10-025S20-2-78		78							3130	7755	12307
WC2T10-025S20-2-84		84							3175	7269	12400
WC2T10-040S20-2-84	40	84						3200	9235	12700	
WC2T10-040S20-2-90		90						3245	8684	12782	
WC2T10-040S20-2-96		96						3290	8203	12864	

Dimensional Drawings (In Inches) for the 7½ and 10 tonne trolleys



Max. Lift	Gage	AP	AQ
25	66	19-3/4	6
	72	25-3/4	
	78	31-3/4	
	84	37-3/4	
40	84	23-3/4	9-1/2
	90	29-3/4	
	96	35-3/4	

Note:

① 9" maximum based on 66" gage - increases as gage increases
 40# ASCE trolley rail is maximum

World Series

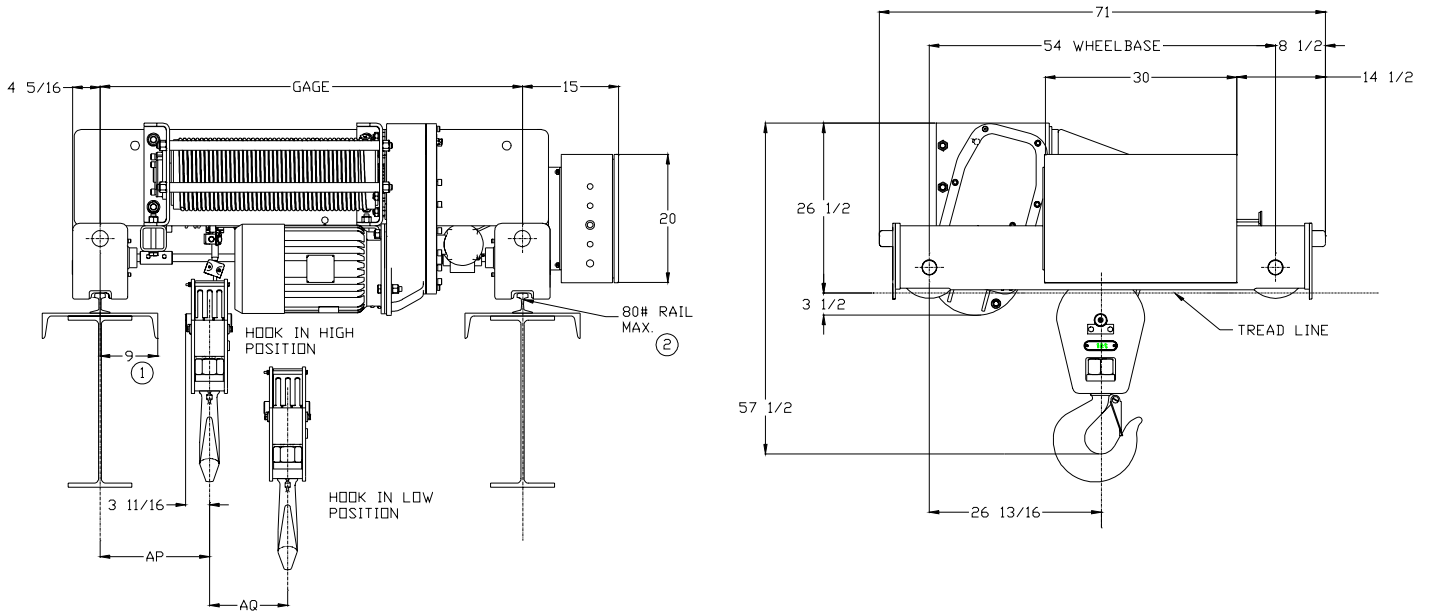
Specifications and Pricing

Note: Prices include control panel mounting and wiring.
Add \$262 to pull all leads to a junction box and package and ship panel loose.

15 Tonne / Single Reeved

Catalog Number	Max Lift (ft)	Gage (in)	Hoist Speed (fpm)	Hoist Motor	Rope No. & Dia. (in)	Traverse Speed (fpm)	Wheel Dia. (in)	Traverse Motor	Weight (lbs)	Max. Wheel Load (lbs)	List Price
WC2T15-016S15-2-66	16	66	15/2.5	15/2.5	6-1/2	60/20	8	1/.33	3190	13155	16676
WC2T15-016S15-2-72		72							3240	12138	16718
WC2T15-016S15-2-78		78							3290	11279	16760
WC2T15-026S15-2-84	26	84							3365	13325	17221
WC2T15-026S15-2-90		90							3415	12505	17263
WC2T15-026S15-2-96		96							3465	11789	17306

Dimensional Drawings (In Inches) for the 15 tonne trolley



Max. Lift	Gage	AP	AQ
16	66	17	4
	72	23	
	78	29	
26	84	21	6-3/8
	90	27	
	96	33	

Note:

- ① 9" maximum based on 66" gage - increases as gage increases
- 80# ASCE trolley rail is maximum

Options Pricing

Hoist Options:

Rope Guide	Add	\$131
Upper & lower geared control circuit limit switch	Add	197
Add mainline contactor	Add	393
Over capacity lift limit switch	Add	328
575/3/60 hoist & trolley motors and controls (2-speed)		N/C
Derating of a hoist capacity (new capacity plates from ½ - 9 tonnes in ½ tonne increments)	Add	164
Eliminate hoist & trolley controls & enclosure (all leads wired to a junction box and leave brake control modual)		
5-Tonne	Deduct	-(453)
7½ & 10-Tonne	Deduct	-(546)

NEMA 4X Control Enclosure

Fiberglass enclosure	Add	582
Stainless steel enclosure	Add	848

Bullard Hook Adder

For 5 ton hoist	Add	759
For the 7½ or 10 ton hoist	Add	2047
Adds to the headroom approximately 3.25" and will increase leadtime. Consult factory for specific details		

Add for Stainless Steel Wire Rope P.O.A.

5-ton (US tons) High Speed Hoist Option

For 5-ton heavy service applications requiring a fast hoisting speed, the C-frame hoist is available 2-part single reeved with a hoisting speed of 40/6.6 fpm. With exception of the headroom, the weights and dimensions are the same as for the 10 ton "C" frame World Series Hoist.

Catalog Number	Max Lift (ft)	Gage (in)	Hoist Speed (fpm)	Hoist Motor	Rope No. & Dia. (in)	Approx. Headroom (in)	Traverse Speed (fpm)	Wheel Dia. (in)	Traverse Motor	Wt. (lbs)	List Price
WC2D05-050S40-2-66	50	66	40/6.6	15/2.5	2-1/2	49-1/8	60/20	6	.75/.25	3040	12449
WC2D05-050S40-2-72		72								3085	12537
WC2D05-050S40-2-78		78								3130	12626
WC2D05-050S40-2-84		84								3175	12714

Note: Lower block sheave pitch diameter will be 10-1/2".

The upper/lower geared limit switch will be a 4-element switch with an upper slow-down & stop and a lower slow-down & stop position.

Due to the hoisting speed the live load impact factor will be 20% which may affect your girder selection.

Due to the fast hoisting speed this 5-ton hoist only has a rope guide as standard.

World Series Spare Parts Kit

Applicable only when purchased with a World Series Hoist

Lift	5 tonne	7½ tonne	10 tonne	15 tonne
16'	X	X	X	1493
25'	1080	1493	1493	X
26'	X	X	X	1635
40'	1178	1635	1635	X
50'	1493	X	X	X

Kit includes the following hoist motion only parts:

Brake control module	Accelerating contactor
Brake disc	Transformer
Brake hardware kit	Wire rope assembly
Reversing contactor	

Pushbutton Stations

For pushbutton station (shipped loose)

(Pendant Stations Not Included with Base Hoist Price)

List prices are arranged by the various button combinations available per hoist lift

Price includes NEMA 4 pendant station with the button quantity listed, control and strain reliever cable for the hoist lift selected. The length of the cables will be approximately equal to the lift less 2½ feet.

The pendant will ship loose for field installation by others. Please give desired configuration with order.

Number of Buttons		On-Off	New Global Adders List Price	
1 Speed	2 Speed		25'	40'
0	4	0	257	295
		2	311	362
	6	0	293	352
		2	344	402
2	2	0	218	277
		2	290	336
	4	0	277	335
		2	329	387
4	2	0	252	303
		2	304	354

Trolley Options:

Add soft-start to standard 2 speed trolley	Add	\$313
Single speed trolley control without soft-start	Deduct	-(55)
Single speed trolley control with soft-start	Add	242
Variable frequency trolley control		
Electromotive P3 for 230 or 460/3/60	Add	853
Electromotive G+ for 575/3/60	Add	2132
Trolley brake, AC motor mounted disc type rated at 50% torque	Add	354
Slower trolley traverse speed (standard is 60/20 fpm)		
For 45/15 fpm		N/C
Traverse horsepower stays the same for the 5 & 7½ tonne trolleys, 10 tonne horsepower drops to 1/2 - 1/6		

Note: Prices include a junction box with all leads pulled to the box. Prices do not include mounting or wiring of the panel. **Add \$328 mount and wire in the panel.**

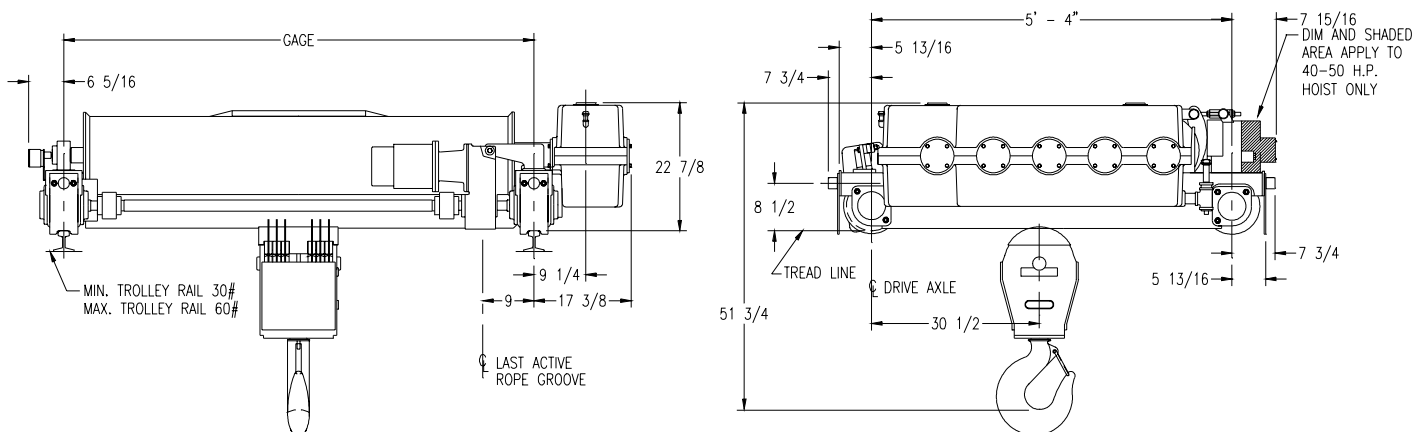
10 Ton / Double Reeved

Catalog Number	Max Lift (ft)	Gage (ins)	Hoist Speed (fpm)	Hoist Motor	Rope No. & Dia. (in)	Traverse Speed (fpm)	Wheel Dia. (in)	Traverse Motor	Weight (lbs)	List Price
M10-071-26-08-074-09-*	71	72	26	20 HP - 1800	4 - 9/16	74	9	1 HP - 1800	5473	48123
M10-071-35-08-074-09-*			35	25 HP - 1800					5557	48601
M10-071-41-08-074-09-*			41	30 HP - 1800					5557	50291
M10-071-57-10-074-09-*			57	40 HP - 1800					5752	67675
M10-071-68-10-074-09-*			68	50 HP - 1800					5752	NC
M10-089-26-08-074-09-*	89	84	26	20 HP - 1800					5848	48620
M10-089-35-08-074-09-*			35	25 HP - 1800					5932	49097
M10-089-41-08-074-09-*			41	30 HP - 1800					5932	50786
M10-089-57-10-074-09-*			57	40 HP - 1800					6127	68171
M10-089-68-10-074-09-*			68	50 HP - 1800					6127	71541
M10-106-26-08-074-09-*	106	96	26	20 HP - 1800					6218	49116
M10-106-35-08-074-09-*			35	25 HP - 1800					6302	49593
M10-106-41-08-074-09-*			41	30 HP - 1800					6302	51283
M10-106-57-10-074-09-*			57	40 HP - 1800					6497	68666
M10-106-68-10-074-09-*			68	50 HP - 1800					6497	72036
M10-124-26-08-074-09-*	124	108	26	20 HP - 1800					6600	49612
M10-124-35-08-074-09-*			35	25 HP - 1800					6684	50088
M10-124-41-08-074-09-*			41	30 HP - 1800					6684	51780
M10-124-57-10-074-09-*			57	40 HP - 1800					6879	69163
M10-124-68-10-074-09-*			68	50 HP - 1800					6879	72532
M10-141-26-08-074-09-*	141	120	26	20 HP - 1800	6972	50107				
M10-141-35-08-074-09-*			35	25 HP - 1800	7056	50586				
M10-141-41-08-074-09-*			41	30 HP - 1800	7056	52276				
M10-141-57-10-074-09-*			57	40 HP - 1800	7251	69660				
M10-141-68-10-074-09-*			68	50 HP - 1800	7251	73029				

* When ordering, the following suffix must be added to indicate power supply;

- 2 - 200/3/60 4 - 460/3/60
- 3 - 230/3/60 5 - 575/3/60

Dimensional Drawings (In Inches)



Loadmax

Specifications and Pricing

Note: Prices include a junction box with all leads pulled to the box. Prices do not include mounting or wiring of the panel. Add \$3328 mount and wire in the panel.

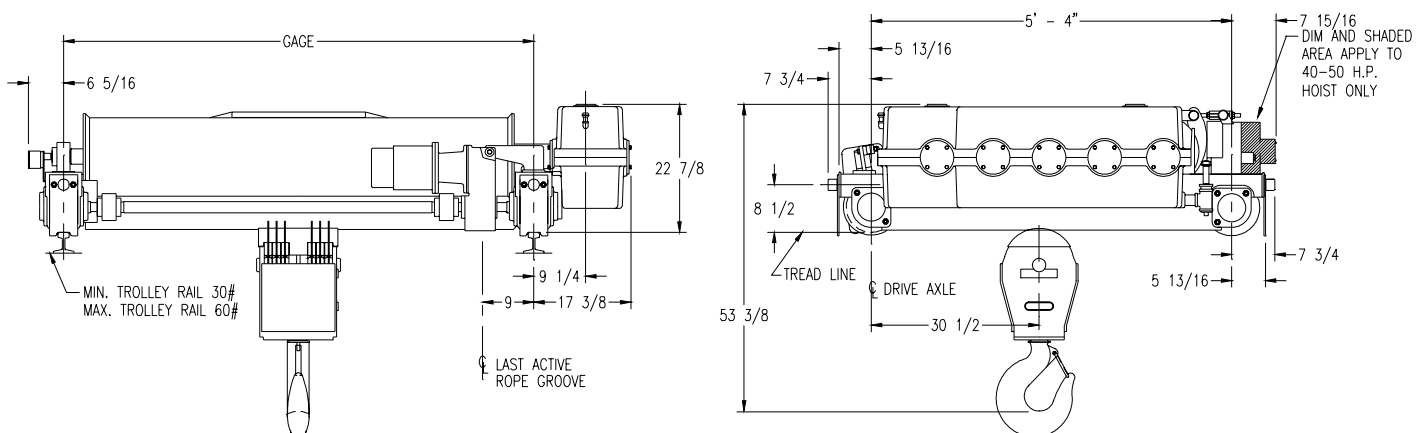
15 Ton / Double Reeved

Catalog Number	Max Lift (ft)	Gage (ins)	Hoist Speed (fpm)	Hoist Motor	Rope No. & Dia. (in)	Traverse Speed (fpm)	Wheel Dia. (in)	Traverse Motor	Weight (lbs)	List Price
M15-035-17-08-074-09*	35	72	17	20 HP - 1800	8 - 9/16	74	9	1.5 HP - 1800	6160	52301
M15-035-21-08-074-09*			21	25 HP - 1800					6244	52791
M15-035-25-08-074-09*			25	30 HP - 1800					6244	54533
M15-035-34-10-074-09*			34	40 HP - 1800					6439	72444
M15-035-39-10-074-09*			39	50 HP - 1800					6439	75915
M15-044-17-08-074-09*	44	84	17	20 HP - 1800					6535	52811
M15-044-21-08-074-09*			21	25 HP - 1800					6619	53304
M15-044-25-08-074-09*			25	30 HP - 1800					6619	55044
M15-044-34-10-074-09*			34	40 HP - 1800					6814	72955
M15-044-39-10-074-09*			39	50 HP - 1800					6814	76425
M15-053-17-08-074-09*	53	96	17	20 HP - 1800					6905	53323
M15-053-21-08-074-09*			21	25 HP - 1800					6989	53814
M15-053-25-08-074-09*			25	30 HP - 1800					6989	55556
M15-053-34-10-074-09*			34	40 HP - 1800					7184	73466
M15-053-39-10-074-09*			39	50 HP - 1800					7184	76937
M15-061-17-08-074-09*	61	108	17	20 HP - 1800	7287	53834				
M15-061-21-08-074-09*			21	25 HP - 1800	7371	54324				
M15-061-25-08-074-09*			25	30 HP - 1800	7371	56066				
M15-061-34-10-074-09*			34	40 HP - 1800	7566	73977				
M15-061-39-10-074-09*			39	50 HP - 1800	7566	77449				
M15-070-17-08-074-09*	70	120	17	20 HP - 1800	7659	54344				
M15-070-21-08-074-09*			21	25 HP - 1800	7743	54837				
M15-070-25-08-074-09*			25	30 HP - 1800	7743	56578				
M15-070-34-10-074-09*			34	40 HP - 1800	7938	74489				
M15-070-39-10-074-09*			39	50 HP - 1800	7938	77959				

* When ordering, the following suffix must be added to indicate power supply;

- 2 - 200/3/60 4 - 460/3/60
- 3 - 230/3/60 5 - 575/3/60

Dimensional Drawings (In Inches)



Note: Prices include a junction box with all leads pulled to the box. Prices do not include mounting or wiring of the panel. **Add \$328 mount and wire in the panel.**

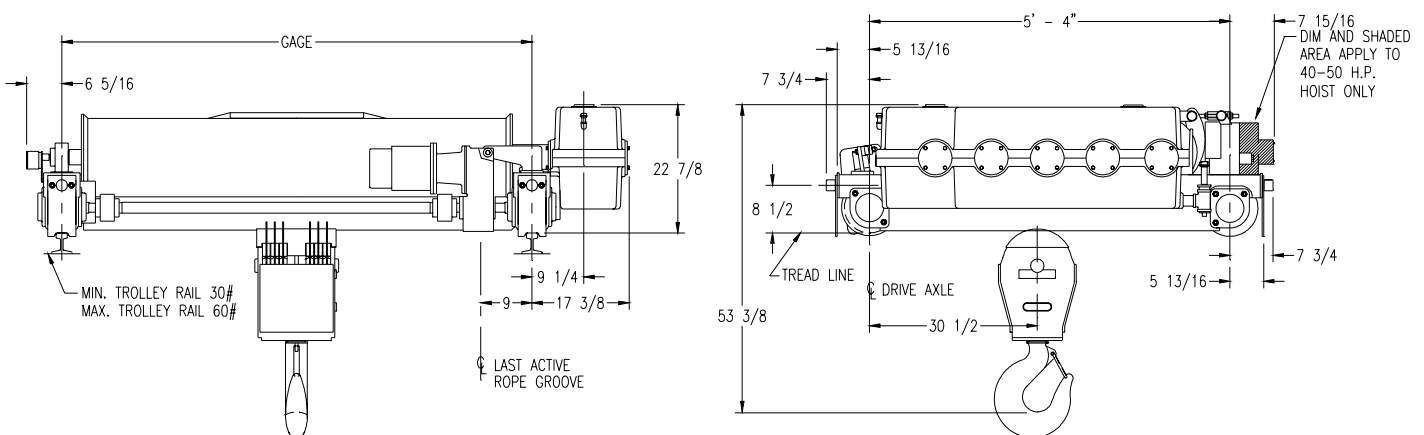
20 Ton / Double Reeved

Catalog Number	Max Lift (ft)	Gage (ins)	Hoist Speed (fpm)	Hoist Motor	Rope No. & Dia. (in)	Traverse Speed (fpm)	Wheel Dia. (in)	Traverse Motor	Weight (lbs)	List Price
M20-035-13-08-074-09-*	35	72	13	20 HP - 1800	8 - 9/16	74	9	2 HP - 1800	6160	53176
M20-035-17-08-074-09-*			17	25 HP - 1800					6244	53675
M20-035-21-08-074-09-*			21	30 HP - 1800					6244	55444
M20-035-29-10-074-09-*			29	40 HP - 1800					6439	73629
M20-035-34-10-074-09-*			34	50 HP - 1800					6439	77154
M20-044-13-08-074-09-*	44	84	13	20 HP - 1800					6535	53695
M20-044-17-08-074-09-*			17	25 HP - 1800					6619	54194
M20-044-21-08-074-09-*			21	30 HP - 1800					6619	55962
M20-044-29-10-074-09-*			29	40 HP - 1800					6814	74149
M20-044-34-10-074-09-*			34	50 HP - 1800					6814	77674
M20-053-13-08-074-09-*	53	96	13	20 HP - 1800					6905	54214
M20-053-17-08-074-09-*			17	25 HP - 1800					6989	54714
M20-053-21-08-074-09-*			21	30 HP - 1800					6989	56481
M20-053-29-10-074-09-*			29	40 HP - 1800					7184	74668
M20-053-34-10-074-09-*			34	50 HP - 1800					7184	78192
M20-061-13-08-074-09-*	61	108	13	20 HP - 1800					7287	54733
M20-061-17-08-074-09-*			17	25 HP - 1800					7371	55232
M20-061-21-08-074-09-*			21	30 HP - 1800					7371	57000
M20-061-29-10-074-09-*			29	40 HP - 1800					7566	75188
M20-061-34-10-074-09-*			34	50 HP - 1800					7566	78711
M20-070-13-08-074-09-*	70	120	13	20 HP - 1800	7659	55252				
M20-070-17-08-074-09-*			17	25 HP - 1800	7743	55752				
M20-070-21-08-074-09-*			21	30 HP - 1800	7743	57520				
M20-070-29-10-074-09-*			29	40 HP - 1800	7938	75705				
M20-070-34-10-074-09-*			34	50 HP - 1800	7938	79230				

* When ordering, the following suffix must be added to indicate power supply;

- 2 - 200/3/60 4 - 460/3/60
- 3 - 230/3/60 5 - 575/3/60

Dimensional Drawings (In Inches)



Loadmax

Specifications and Pricing

Note: Prices include a junction box with all leads pulled to the box. Prices do not include mounting or wiring of the panel. Add \$3328 mount and wire in the panel.

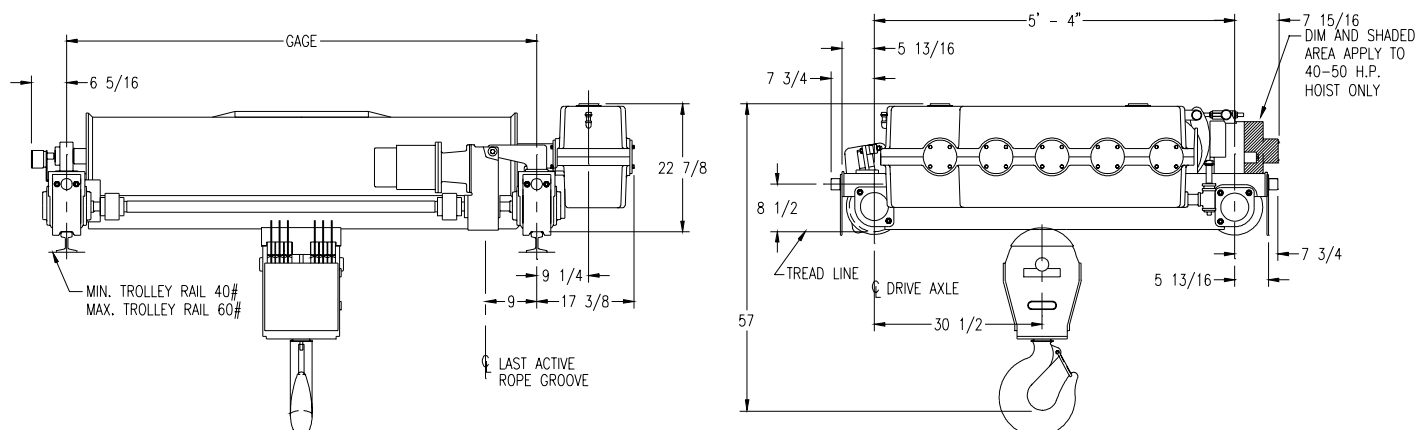
25 Ton / Double Reeved

Catalog Number	Max Lift (ft)	Gage (ins)	Hoist Speed (fpm)	Hoist Motor	Rope No. & Dia. (in)	Traverse Speed (fpm)	Wheel Dia. (in)	Traverse Motor	Weight (lbs)	List Price
M25-022-12-08-074-09-*	22	72	12	20 HP - 1800	12 - 9/16	74	9	2 HP - 1800	6494	56831
M25-022-14-08-074-09-*			14	25 HP - 1800					6579	57342
M25-022-16-08-074-09-*			16	30 HP - 1800					6579	59151
M25-022-23-10-074-09-*			23	40 HP - 1800					6774	77767
M25-022-26-10-074-09-*			26	50 HP - 1800					6774	81375
M25-028-12-08-074-09-*	28	84	12	20 HP - 1800					6870	57361
M25-028-14-08-074-09-*			14	25 HP - 1800					6954	57873
M25-028-16-08-074-09-*			16	30 HP - 1800					6954	59682
M25-028-23-10-074-09-*			23	40 HP - 1800					7149	78298
M25-028-26-10-074-09-*			26	50 HP - 1800					7149	81906
M25-034-12-08-074-09-*	34	96	12	20 HP - 1800					7240	57893
M25-034-14-08-074-09-*			14	25 HP - 1800					7324	58404
M25-034-16-08-074-09-*			16	30 HP - 1800					7324	60214
M25-034-23-10-074-09-*			23	40 HP - 1800					7519	78829
M25-034-26-10-074-09-*			26	50 HP - 1800					7519	82438
M25-040-12-08-074-09-*	40	108	12	20 HP - 1800	7622	58424				
M25-040-14-08-074-09-*			14	25 HP - 1800	7706	58936				
M25-040-16-08-074-09-*			16	30 HP - 1800	7706	60745				
M25-040-23-10-074-09-*			23	40 HP - 1800	7901	79360				
M25-040-26-10-074-09-*			26	50 HP - 1800	7901	82968				
M25-046-12-08-074-09-*	46	120	12	20 HP - 1800	7994	58956				
M25-046-14-08-074-09-*			14	25 HP - 1800	8078	59466				
M25-046-16-08-074-09-*			16	30 HP - 1800	8078	61277				
M25-046-23-10-074-09-*			23	40 HP - 1800	8273	79892				
M25-046-26-10-074-09-*			26	50 HP - 1800	8273	83500				

* When ordering, the following suffix must be added to indicate power supply;

- 2 - 200/3/60 4 - 460/3/60
- 3 - 230/3/60 5 - 575/3/60

Dimensional Drawings (In Inches)



Note: Prices include a junction box with all leads pulled to the box. Prices do not include mounting or wiring of the panel. **Add \$328 mount and wire in the panel.**

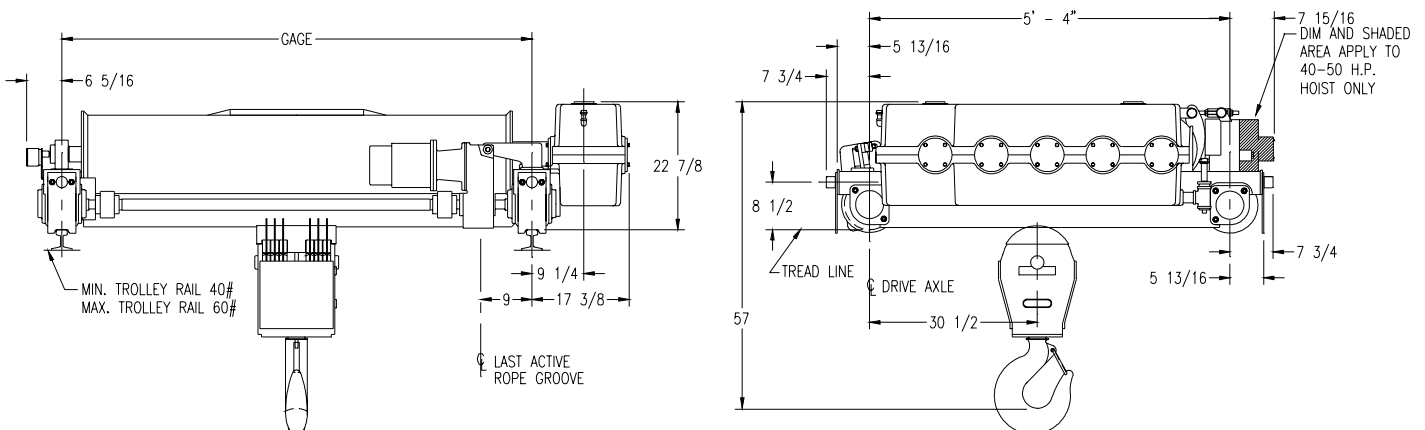
30 Ton / Double Reeved

Catalog Number	Max Lift (ft)	Gage (ins)	Hoist Speed (fpm)	Hoist Motor	Rope No. & Dia. (in)	Traverse Speed (fpm)	Wheel Dia. (in)	Traverse Motor	Weight (lbs)	List Price
M30-022-09-08-074-09-*	22	72	9	20 HP - 1800	12 - 9/16	74	9	3 HP - 1800	6494	62199
M30-022-12-08-074-09-*			12	25 HP - 1800					6579	62759
M30-022-14-08-074-09-*			14	30 HP - 1800					6579	64740
M30-022-19-10-074-09-*			19	40 HP - 1800					6774	85120
M30-022-23-10-074-09-*			23	50 HP - 1800					6774	89071
M30-028-09-08-074-09-*	28	84	9	20 HP - 1800					6870	62780
M30-028-12-08-074-09-*			12	25 HP - 1800					6954	63339
M30-028-14-08-074-09-*			14	30 HP - 1800					6954	65320
M30-028-19-10-074-09-*			19	40 HP - 1800					7149	85765
M30-028-23-10-074-09-*			23	50 HP - 1800					7149	89715
M30-034-09-08-074-09-*	34	96	9	20 HP - 1800					7240	63361
M30-034-12-08-074-09-*			12	25 HP - 1800					7324	63922
M30-034-14-08-074-09-*			14	30 HP - 1800					7324	65903
M30-034-19-10-074-09-*			19	40 HP - 1800					7519	86285
M30-034-23-10-074-09-*			23	50 HP - 1800					7519	90234
M30-040-09-08-074-09-*	40	108	9	20 HP - 1800	7622	63943				
M30-040-12-08-074-09-*			12	25 HP - 1800	7706	64503				
M30-040-14-08-074-09-*			14	30 HP - 1800	7706	66484				
M30-040-19-10-074-09-*			19	40 HP - 1800	7901	86864				
M30-040-23-10-074-09-*			23	50 HP - 1800	7901	90815				
M30-046-09-08-074-09-*	46	120	9	20 HP - 1800	7994	64525				
M30-046-12-08-074-09-*			12	25 HP - 1800	8078	65085				
M30-046-14-08-074-09-*			14	30 HP - 1800	8078	67066				
M30-046-19-10-074-09-*			19	40 HP - 1800	8273	87446				
M30-046-23-10-074-09-*			23	50 HP - 1800	8273	91397				

* When ordering, the following suffix must be added to indicate power supply;

- 2 - 200/3/60 4 - 460/3/60
- 3 - 230/3/60 5 - 575/3/60

Dimensional Drawings (In Inches)



Modifications & Accessories

THE OPTIONS APPLY ONLY TO THE LOADMAX TROLLEYS IN THIS PRICE BOOK

CONTROL PACKAGE OPTIONS:

Control pricing options are to be added to the base trolley prices. The standard controls are 2-speed hoists through 30 HP, 5-step eddy current load brake hoist control for 40 & 50 HP and 2-speed traverse. The options and standard controls have the same basic features which are;

- 60 - minute rated hoist motor with Class H insulation
- 30 - minute rated trolley motor with Class F insulation
- NEMA 4/12 panel
- No pendant station or master switches
- Controls shipped loose for mounting by others
- NEMA rated contactors for magnetic contactor control

Drive Options For 460/3/60 Power Supplies					
Hoist Control				Trolley Control	
Hoist H.P.	Eddy Current Load Brake	Variable Frequency Drive	Flux Vector Drive *	Trolley H.P.	Variable Frequency Drive
20	9424	1252	7671	1	942
25	11701	2378	9478	1.5	942
30	12124	3094	11259	2	942
40	STD	N/A	-(646)	3	1077
50	STD	N/A	-(1269)		

Drive Options For 230/3/60 Power Supplies					
Hoist Control				Trolley Control	
Hoist H.P.	Eddy Current Load Brake	Variable Frequency Drive	Flux Vector Drive *	Trolley H.P.	Variable Frequency Drive
20	9424	1620	6939	1	826
25	11701	3617	9053	1.5	826
30	12124	4342	11881	2	1065
40	STD	N/A	138	3	1103
50	STD	N/A	-(2291)		

Drive Options For 575/3/60 Power Supplies					
Hoist Control				Trolley Control	
Hoist H.P.	Eddy Current Load Brake	Variable Frequency Drive	Flux Vector Drive*	Trolley H.P.	Variable Frequency Drive
20	9424	1397	12199	1	1215
25	11701	2713	16075	1.5	1215
30	12124	2872	20200	2	1215
40	STD	N/A	10787	3	1418
50	STD	N/A	10425		

*Flux Vector controlled hoists only will be provided with a 10" D.C. shoe brake for 20 - 50 H.P.
 Call factory for panel size. Standard Hinged is bottom/horizontal.
 Call for options on other panel door arrangements.

Following are descriptions of each control package option.
 Please read carefully to insure you have made the proper selection for the application.

Modifications & Accessories

THE OPTIONS APPLY ONLY TO THE LOADMAX TROLLEYS IN THIS PRICE BOOK

5-STEP EDDY CURRENT BRAKE HOIST CONTROL:

To be added to the base hoist price with 2-speed control through 30 h.p. Eliminates the mechanical load brake, 2-speed motor and control.

Price add includes:

- Wound rotor motor
- 5-step magnetic contactor control panel
- Eddy current load brake
- Class 173 Stainless Steel Resistors with rack and shield
- Deletion of mechanical load brake

VARIABLE FREQUENCY CONTROL:

To be added to the base hoist price with 2-speed control through 30 h.p. only. Replaces the 2-speed motor and control and operates with the mechanical load brake. The trolley option replaces the 2-speed trolley motor and control. Standard control is 5-step. However, the following options are available at no extra charge.

- * 2-step
- * 2-step infinitely variable
- * 3-step
- * 3-step infinitely variable

Price add includes:

- Squirrel cage motor for inverter duty
- Variable frequency drive
- Mechanical load brake
- Dynamic braking resistor
- Key pad programming
- Set at 10 HZ low and 60 HZ high
- For ranges greater than 6:1 consult factory

FLUX VECTOR HOIST CONTROL:

Same basic features as the variable frequency drives except for the drive module, hoist motor with encoder and 10 feet of shielded cable for encoder to drive connection. Eliminates the mechanical load brake.

Note: Bridge mounted panels will require a continuous run of shielded cable from the panel to the hoist motor. Cable is available on a per foot basis.

Price per foot for shielded cable \$1.27

IEC RATED CONTACTORS:

The standard contactors in the 2-speed hoist and trolley and the 5-step hoist eddy current brake controls are NEMA rated. To change to IEC contactors the following price **deducts** apply;

Hoist Control:	20 - 25 HP (2-speed)	-(1052)
	30 HP (2-speed)	-(1732)
	20 -25 HP (5-step eddy current load brake)	-(1279)
	30 -50 HP (5-step eddy current load brake)	-(1613)
Trolley Control:	2-speed	-(553)

Modifications & Accessories

THE OPTIONS APPLY ONLY TO THE LOADMAX TROLLEYS IN THIS PRICE BOOK

OPTIONAL TROLLEY TRAVERSE SPEEDS:

Standard speed is 74 F.P.M. Price adds and HP changes for other speeds by type of control are as follows;
 Price adds are for either 460 or 230/3/60

Two Speed Control							
Tons Capacity	50 F.P.M.		74 F.P.M. Std. HP	100 F.P.M.		125 F.P.M.	
	H.P.	Add		H.P.	Add	H.P.	Add
10	1	56	1	2	72	2	99
15			1.5			3	
20	1.5	—	2	3	58	4	1018
25			3				
30			2				

Variable Frequency Drive Control							
Tons Capacity	50 F.P.M.		74 F.P.M. Std. HP	100 F.P.M.		125 F.P.M.	
	H.P.	Add		H.P.	Add	H.P.	Add
10	1	56	1	2	596	2	596
15			1.5			3	
20	1.5	—	2	3	56	4	
25			3				
30			2				

LIMIT SWITCHES:

Standard hoist limit switch is a geared upper/lower control circuit type and a block operated control circuit limit switch (NEMA 4)

Note: Adds 4" to Headroom

CONTROLS NOT MOUNTED OR WIRED IN IS STANDARD:

As standard the control panels are shipped loose for field mounting and wiring by others. The base price includes pulling of motor, brake and limit switch leads, running through conduit to a junction box. The junction box is mounted on the hoist motor side of the trolley as standard. If another location is desired, please specify with the order.

MOUNTING AND WIRING IN CONTROLS:

To factory mount and wire in controls, use the following add prices. The panel will be mounted on the hoist motor side of the trolley. Prices vary with type of hoist control used.

2-speed hoist	\$701
5-step Eddy current hoist	1401
Variable Frequency Hoist	1008
Flux Vector Hoist	1401

Modifications & Accessories

THE OPTIONS APPLY ONLY TO THE LOADMAX TROLLEYS IN THIS PRICE BOOK

60-MINUTE TROLLEY MOTOR ADDS:

Standard trolley motors are 30-minute rated. Price adds for 60 - minute trolley motors are as follows:

H.P.	1-Speed	2-Speed
1	127	283
1.5	184	356
2	242	529
3	328	754

30-MINUTE HOIST MOTOR DEDUCTS FOR EDDY CURRENT LOAD BRAKE CONTROL:

Standard hoist motors are 60-minute rated. Some applications allow use of a 30-minute rated motor for eddy current hoist load brake control system. The deduct to go to a 30-minute rated wound rotor hoist motor from a 60-minute motor is:

H.P.	Deduct
20	-\$464
25	-(878)
30	-(1202)
40	-(1876)
50	-(1968)

SHAW-BOX®



414 West Broadway Ave.
P.O. Box 769
Muskegon, Michigan 49443-0769
(800) 742-9269 Phone
(800) 742-9270 Fax